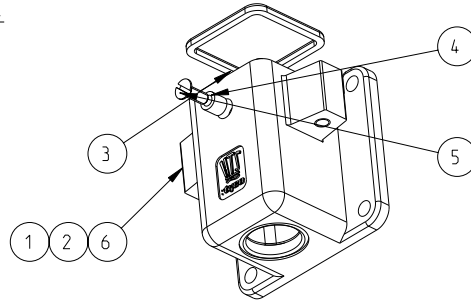
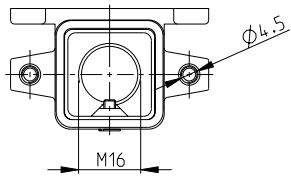
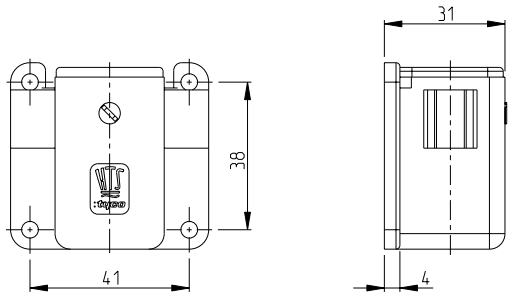


THIS DRAWING IS UNPUBLISHED. RELEASED FOR PUBLICATION 2009  
 © COPYRIGHT 2009 BY TYCO ELECTRONICS CORPORATION. ALL RIGHTS RESERVED.

LOC	DIST	REVISIONS				
P	LTR	DESCRIPTION	DATE	DNW	APVD	
A2		ECR-09-023155	22OCT2009	VG	AR	
A3		ECR-10-009777	27MAY2010	SR	AR	



Notes

- SUITABLE HOUSINGS: SERIES HIP, SIZE 1  
CUSTOMER DRAWING 1102600 1106408, 1106200
- STANDARDS:  
DIN EN 61984, DIN EN 60664-1
- TOOL:  
SLOTTED SCREW DRIVER 4.0x0.8
- VARNISH ON INSIDE AREA NOT NECESSARY
- PACKAGING:  
10 SETS IN A CARTON, PRE-MOUNTED

0-1106407-3	HIP-K.3/4.SG-N
0-1106407-2	HIP-K.3/4.SG.1.M16.G
0-1106407-1	HIP.3/4.SG.1.M16.G
PART NO.	ORDERING TEXT

1			DESCRIPTION	MATERIAL	COLOR/SURFACE	NOTE	ITEM
1			ANGLED BULKHEAD HOUSING	ALU	BLACK	WITHOUT LOGO & DRILLING	6
1	1	1	SCREW, SLOTTED COUNTERS. FLAT HEAD	STAINL. STEEL	BLANK	M3x8 DIN EN ISO 2009	5
1	1	1	HOSE SECTION	FKM	BLACK	SERIES EMV / HIP Ø3x1x4.5	4
1	1	1	PROFILE SEAL	FKM	BLACK	SERIES EMV / HIP	3
1	1	-	ANGLED BULKHEAD HOUSING	ALU	BLACK	SERIES HIP-K	2
-	-	1	ANGLED BULKHEAD HOUSING	ALU	GREY	SERIES HIP	1
0-3	0-2	0-1					
	PN/QTY						

PARTS LIST (PER ONE UNIT)

<small>THIS DRAWING IS A CONTROLLED DOCUMENT FOR TYCO ELECTRONICS CORPORATION          IT IS SUBJECT TO CHANGE AND THE CONTROLLING ENGINEERING ORGANIZATION          SHOULD BE CONTACTED FOR THE LATEST REVISION.</small>		DWN V. GLUMM 25AUG2009 CHK H. Braun 25AUG2009 APVD T. Schnurpfel 25AUG2009	Tyco Electronics AMP GmbH 64625 Bensheim (Germany)
DIMENSIONS: mm 	TOLERANCES UNLESS OTHERWISE SPECIFIED: 0 PLC ± 1 PLC ± 2 PLC ± 3 PLC ± 4 PLC ± ANGLES ±1° MATERIAL - FINISH -	NAME ANGLED BULKHEAD HOUSING ASS'Y SIDE ENTRY, SERIES HIP, SIZE 1	SIZE CAGE CODE DRAWING NO RESTRICTED TO A3 00779 C=1106407 -
CUSTOMER DRAWING		SCALE 1:1	SHEET 1 OF 1 REV A3

AMP 1470-19 REV 31MAR2000

Pro/ENGINEER DRAWING