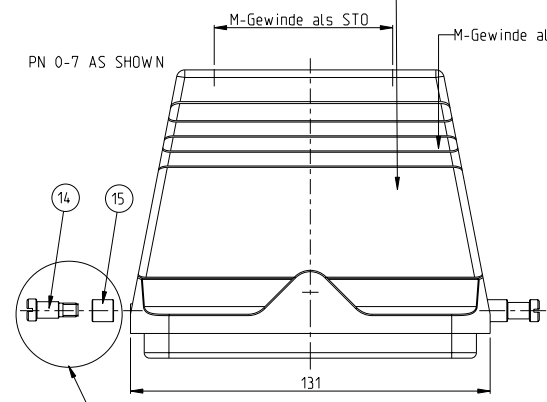


LOC		DIST		REVISIONS			
P	LYR	DESCRIPTION	DATE	DRW	APPR		
B3		new pro/E drawing ECR-08-022186	27JAN2009	SR	AR		
B4		ECR-10-008205	29APR2010	VG	AR		



QTY	DESCRIPTION	MATERIAL	SURFACE	COLOR	ITEM	NOTES
1	HOOD-HB-K	BRASS	ALUMINIUM OXID	BLACK	16	SMALL CODING NUT
	SLIDE SPOOL - ST ÄUBLI		BLANC		15	
	CLIP BOLT	STAINLESS STEEL	BLANC		14	
1	HOOD-HB	ALUMINIUM		GREY	13	
	HOOD-HB	ALUMINIUM		GREY	12	W WITHOUT HTS-LOGO
	HOOD-HB	ALUMINIUM		GREY	11	W WITHOUT HTS-LOGO
	HOOD-HB	ALUMINIUM		GREY	10	W WITHOUT HTS-LOGO
	HOOD-HB	ALUMINIUM		GREY	9	W WITHOUT HTS-LOGO
2	CLIP BOLT	STAINLESS STEEL	BLANC		8	
2	CLIP BOLT	STEEL	ZINK PLATED	BLUE	7	
	HOOD-HB-K	ALUMINIUM	ALUMINIUM OXID	BLACK	6	
	HOOD-HB	ALUMINIUM		GREY	5	
	HOOD-HB-K	ALUMINIUM	ALUMINIUM OXID	BLACK	4	
	HOOD-HB-K	ALUMINIUM	ALUMINIUM OXID	BLACK	3	
	HOOD-HB	ALUMINIUM		GREY	2	
	HOOD-HB	ALUMINIUM		GREY	1	
1-2	DESCRIPTION	MATERIAL	SURFACE	COLOR	ITEM	NOTES
	HB.48.STO-GR.1.M50.G					
	HB.48.STS-GR.1.M50.G					
	HB-K.48.STO-GR.1.M63.G					
	HB-K.48.STS-GR.1.M50.G					
	HB.48.STS-GR.1.M40.G					
	HB-K.48.STO-GR.1.M50.G					
	HB.48.STS-GR.1.M50.G					
	HB.48.STS-GR.1.M50.G					
	HB.48.ST-GR					
	HB.48.STO-GR.1.M40.G					
	HB.48.STO-GR.2.M25.G					
	HB-K.48.STS-GR.1.M50.G-Code					

- NOTES
- PART SHALL BE FREE AND CLEAN OF BURRS AND OTHER FOREIGN MATERIAL
  - PACKAGING: QUANTITY 3 PIECES
  - VARNISHING INSIDE HOUSING NOT REQUIRED
- ⚠ GLAND FITTING THREAD IS ORIENTATED TO THE SMALLER POLARIZATION NOTCH

DIMENSIONS: mm		OPERATED SPECIFICATIONS		DATE: 29 JAN 2009		DRAWN BY: R. SCHNEIDER		TYCO ELECTRONICS	
MATERIAL: -		FINISH: -		PRODUCT SPEC: -		APPLICATION SPEC: -		WEIGHT: -	
SCALE: 1:1		SHEET: 1 OF 1		REV: B4		CUSTOMER DRAWING		TYCO ELECTRONICS AMP GmbH 53757 Sankt Augustin (Germany)	