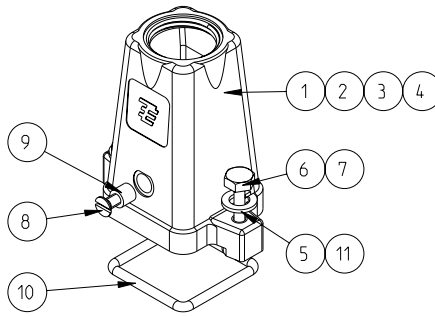
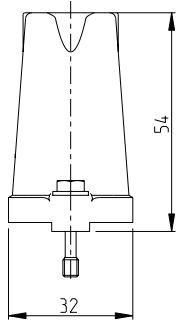
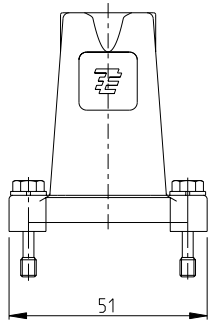


THIS DRAWING IS UNPUBLISHED. RELEASED FOR PUBLICATION 2009
 © COPYRIGHT 2009 BY TYCO ELECTRONICS CORPORATION. ALL RIGHTS RESERVED.

LOC	DIST	REVISIONS				
P	LTR	DESCRIPTION	DATE	DNW	APVD	
A12		ECR-09-023155	22OCT2009	VG	AR	
A13		ECR-10-009363	29APR2010	RO	BR	



PN 0-3 AS SHOWN

0-1102700-5	EMV-K.3/4.STO.1.11.G
0-1102700-4	EMV.3/4.STO.1.11.G
0-1102700-1	EMV-K.3/4.STO.1.11.G
4-1102700-5	EMV.3/4.STO.1.11.G
3-1102700-5	EMV-K.3/4.STO.1.11.G
PART NO.	ORDERING TEXT

Notes

- SUITABLE HOUSINGS: SERIES EMV. SIZE 1
CUSTOMER DRAWING 1102703, 1102702
- STANDARDS: DIN EN 61984, DIN EN 60664-1
- CHROMIT AL TCP PASSIVATION
- TOOLS: SLOTTED SCREW DRIVER 4.0x0.8
HEXAGON SCREW DRIVER 7mm
- VARNISH ON INSIDE AREA NOT NECESSARY
- PACKAGING: 10 SETS IN A CARTON, PRE-MOUNTED

PN/QTY	DESCRIPTION	MATERIAL	COLOR/SURFACE	NOTE	ITEM
2	WASHER, PLAIN	STAINL. STEEL	BLANK	A4, DIN EN ISO 7989, 200HV (V4A)	11
-	O-RING	FKM	BLACK	28x2.5 din 3771	10
1	HOSE SECTION	FKM	BLACK	SERIES EMV / HIP, Ø3x1x4.5	9
1	SCREW, SLOTTED COUNTERS, FLAT HEAD	STAINL. STEEL	BLANK	M3x8 DIN EN ISO 2009	8
2	SCREW, HEXAGON BOLT	STAINL. STEEL	BLANK	M4x22 DIN EN ISO 7964, RED. SHUNK (V4A)	7
-	SCREW, HEXAGON BOLT	STAINL. STEEL	BLANK	M4x22 DIN EN ISO 7964, REDUCED SHUNK	6
-	WASHER, PLAIN	STAINL. STEEL	BLANK	A4, DIN EN ISO 7989, 200HV	5
-	CONNECTOR HOUSING	ALU ALLOY	BLACK	SERIES EMV-K WE LOGO	4
-	CONNECTOR HOUSING	ALU ALLOY	SILVER	SERIES EMV-K	3
1	CONNECTOR HOUSING	ALU ALLOY	BLACK	SERIES EMV-K	2
-	CONNECTOR HOUSING	ALU ALLOY	GREY	SERIES EMV	1

PARTS LIST (PER ONE UNIT)

<small>THIS DRAWING IS A CONTROLLED DOCUMENT FOR TYCO ELECTRONICS CORPORATION IT IS SUBJECT TO CHANGE AND THE CONTROLLING ENGINEERING ORGANIZATION SHOULD BE CONTACTED FOR THE LATEST REVISION.</small>		DWN V. GLUMM 18AUG2009 CHK H. Braun 18AUG2009 APVD T. Schnurpfel 18AUG2009	Tyco Electronics AMP GmbH 53757 Sankt Augustin (Germany)
DIMENSIONS: mm 	TOLERANCES UNLESS OTHERWISE SPECIFIED: 0 PLC ± 1 PLC ± 2 PLC ± 3 PLC ± 4 PLC ± ANGLES ±° MATERIAL - FINISH -	NAME CONNECTOR HOUSING ASS'Y, TOP ENTRY SERIES EMV, SIZE 1 STEEL CONDUIT THREAD	SIZE CAGE CODE DRAWING NO RESTRICTED TO A3 00779 C-1102700
PRODUCT SPEC 108-74036		APPLICATION SPEC 114-74017	WEIGHT - CUSTOMER DRAWING
AMP 1470-19 REV 31MAR2000 Pro/ENGINEER DRAWING		SCALE 1:1 SHEET 1 of 1 REV A13	