

4

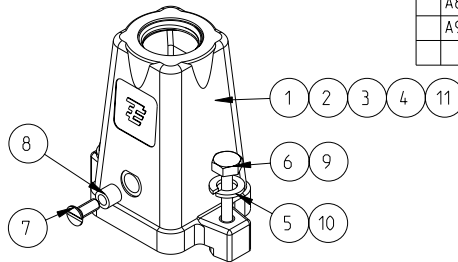
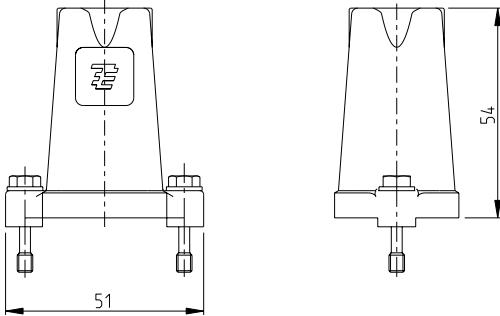
3

2

1

THIS DRAWING IS UNPUBLISHED. RELEASED FOR PUBLICATION 2009
 © COPYRIGHT 2009 BY TYCO ELECTRONICS CORPORATION. ALL RIGHTS RESERVED.

LOC	DIST	REVISIONS				
P	LTR	DESCRIPTION	DATE	DNW	APVD	
A7		ECR-09-023155	22OCT2009	VG	AR	
A8		ECR-10-000686	12JAN2010	SR	AR	
A9		ECR-10-009092	28APR2010	RO	BR	

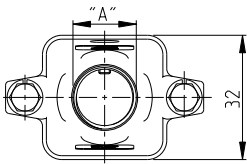


PN 0-1 AS SHOWN

0-1106402-7	EMV-K.3/4.ST-N
0-1106402-6	EMV-K.3/4.STO.1.M20.G
0-1106402-5	EMV-K.3/4.STO.1.M16.G
0-1106402-4	EMV.3/4.STO.1.M16.G
0-1106402-3	EMV-K.3/4.STO.1.M20.G
0-1106402-2	EMV.3/4.STO.1.M16.G
0-1106402-1	EMV-K.3/4.STO.1.M16.G
PART NO.	ORDERING TEXT

Notes

- 1 SUITABLE HOUSINGS: SERIES EMV, SIZE 1
CUSTOMER DRAWING 1102703; 1102702
- 2 STANDARDS: DIN EN 61984, DIN EN 60664-1
- 3 SURFACE: CHROMIT AL TCP PASSIVATION
- 4 TOOLS: SLOTTED SCREW DRIVER 4.0x0.8
HEXAGON SCREW DRIVER 7mm
- 5 VARNISH ON INSIDE AREA NOT NECESSARY
- 6 PACKAGING:
10 SETS IN A CARTON, PRE-MOUNTED



1	2	3	4	5	6	7	8	9	10	11																																																							
-	2	2	2	-	-	-	-	-	-	-																																																							
-	2	2	2	-	-	-	-	-	-	-																																																							
1	1	1	1	1	1	1	1	1	1	1																																																							
1	1	1	1	1	1	1	1	1	1	1																																																							
2	-	-	-	2	2	2	-	-	-	-																																																							
2	-	-	-	2	2	2	-	-	-	-																																																							
-	1	-	-	-	-	-	-	-	-	-																																																							
-	-	-	-	1	-	-	-	-	-	-																																																							
-	-	1	-	-	1	-	-	-	-	-																																																							
-	-	-	1	-	-	1	-	-	-	-																																																							
0-7	0-6	0-5	0-4	0-3	0-2	0-1																																																											
PN/QTY						DESCRIPTION	"A"	MATERIAL	COLOR/SURFACE	NOTE	ITEM																																																						
PARTS LIST (PER ONE UNIT)																																																																	
<table border="1"> <tr> <td>CONNECTOR HOUSING</td> <td>ALU ALLOY</td> <td>BLACK</td> <td>SERIES EMV-K.3/4.ST-N, SIZE 1, METRIC, W/O THREAD & LOGO</td> <td>11</td> </tr> <tr> <td>WASHER, PLAIN</td> <td>STAINL. STEEL</td> <td>BLANK</td> <td>A4, DIN EN ISO 7089, 200HV (V4A)</td> <td>10</td> </tr> <tr> <td>SCREW, HEXAGON BOLT</td> <td>STAINL. STEEL</td> <td>BLANK</td> <td>M4x22 DIN EN ISO 7964, REDUCED SHUNK (V4A)</td> <td>9</td> </tr> <tr> <td>HOSE SECTION</td> <td>FKM</td> <td>BLACK</td> <td>SERIES EMV / HIP, Ø3x1x4.5</td> <td>8</td> </tr> <tr> <td>SCREW, SLOTTED COUNTERS. FLAT HEAD</td> <td>STAINL. STEEL</td> <td>BLANK</td> <td>M3x8 DIN EN ISO 2009</td> <td>7</td> </tr> <tr> <td>SCREW, HEXAGON BOLT</td> <td>STAINL. STEEL</td> <td>BLANK</td> <td>M4x22 DIN EN ISO 7964, REDUCED SHUNK</td> <td>6</td> </tr> <tr> <td>WASHER, PLAIN</td> <td>STAINL. STEEL</td> <td>BLANK</td> <td>A4, DIN EN ISO 7089, 200HV</td> <td>5</td> </tr> <tr> <td>CONNECTOR HOUSING</td> <td>M20 ALU ALLOY</td> <td>WHITE</td> <td>SERIES EMV-K, SIZE 1, METRIC</td> <td>4</td> </tr> <tr> <td>CONNECTOR HOUSING</td> <td>M20 ALU ALLOY</td> <td>BLACK</td> <td>SERIES EMV-K, SIZE 1, METRIC</td> <td>3</td> </tr> <tr> <td>CONNECTOR HOUSING</td> <td>M16 ALU ALLOY</td> <td>BLACK</td> <td>SERIES EMV-K, SIZE 1, METRIC</td> <td>2</td> </tr> <tr> <td>CONNECTOR HOUSING</td> <td>M16 ALU ALLOY</td> <td>GREY</td> <td>SERIES EMV, SIZE 1, METRIC</td> <td>1</td> </tr> </table>											CONNECTOR HOUSING	ALU ALLOY	BLACK	SERIES EMV-K.3/4.ST-N, SIZE 1, METRIC, W/O THREAD & LOGO	11	WASHER, PLAIN	STAINL. STEEL	BLANK	A4, DIN EN ISO 7089, 200HV (V4A)	10	SCREW, HEXAGON BOLT	STAINL. STEEL	BLANK	M4x22 DIN EN ISO 7964, REDUCED SHUNK (V4A)	9	HOSE SECTION	FKM	BLACK	SERIES EMV / HIP, Ø3x1x4.5	8	SCREW, SLOTTED COUNTERS. FLAT HEAD	STAINL. STEEL	BLANK	M3x8 DIN EN ISO 2009	7	SCREW, HEXAGON BOLT	STAINL. STEEL	BLANK	M4x22 DIN EN ISO 7964, REDUCED SHUNK	6	WASHER, PLAIN	STAINL. STEEL	BLANK	A4, DIN EN ISO 7089, 200HV	5	CONNECTOR HOUSING	M20 ALU ALLOY	WHITE	SERIES EMV-K, SIZE 1, METRIC	4	CONNECTOR HOUSING	M20 ALU ALLOY	BLACK	SERIES EMV-K, SIZE 1, METRIC	3	CONNECTOR HOUSING	M16 ALU ALLOY	BLACK	SERIES EMV-K, SIZE 1, METRIC	2	CONNECTOR HOUSING	M16 ALU ALLOY	GREY	SERIES EMV, SIZE 1, METRIC	1
CONNECTOR HOUSING	ALU ALLOY	BLACK	SERIES EMV-K.3/4.ST-N, SIZE 1, METRIC, W/O THREAD & LOGO	11																																																													
WASHER, PLAIN	STAINL. STEEL	BLANK	A4, DIN EN ISO 7089, 200HV (V4A)	10																																																													
SCREW, HEXAGON BOLT	STAINL. STEEL	BLANK	M4x22 DIN EN ISO 7964, REDUCED SHUNK (V4A)	9																																																													
HOSE SECTION	FKM	BLACK	SERIES EMV / HIP, Ø3x1x4.5	8																																																													
SCREW, SLOTTED COUNTERS. FLAT HEAD	STAINL. STEEL	BLANK	M3x8 DIN EN ISO 2009	7																																																													
SCREW, HEXAGON BOLT	STAINL. STEEL	BLANK	M4x22 DIN EN ISO 7964, REDUCED SHUNK	6																																																													
WASHER, PLAIN	STAINL. STEEL	BLANK	A4, DIN EN ISO 7089, 200HV	5																																																													
CONNECTOR HOUSING	M20 ALU ALLOY	WHITE	SERIES EMV-K, SIZE 1, METRIC	4																																																													
CONNECTOR HOUSING	M20 ALU ALLOY	BLACK	SERIES EMV-K, SIZE 1, METRIC	3																																																													
CONNECTOR HOUSING	M16 ALU ALLOY	BLACK	SERIES EMV-K, SIZE 1, METRIC	2																																																													
CONNECTOR HOUSING	M16 ALU ALLOY	GREY	SERIES EMV, SIZE 1, METRIC	1																																																													

<small>THIS DRAWING IS A CONTROLLED DOCUMENT FOR TYCO ELECTRONICS CORPORATION IT IS SUBJECT TO CHANGE AND THE CONTROLLING ENGINEERING ORGANIZATION SHOULD BE CONTACTED FOR THE LATEST REVISION.</small>		DOWN V.GLUMM 14AUG2009 CHK H.Braun 14AUG2009 APVD T.Schnurpfel 14AUG2009	Tyco Electronics AMP GmbH 53757 Sankt Augustin (Germany)
DIMENSIONS: mm 	TOLERANCES UNLESS OTHERWISE SPECIFIED: 0 PLC ± 1 PLC ± 2 PLC ± 3 PLC ± 4 PLC ± ANGLES ±1°	NAME CONNECTOR HOUSING ASS'Y, TOP ENTRY SERIES EMV, SIZE 1, METRIC PRODUCT SPEC - APPLICATION SPEC - WEIGHT -	SIZE A3 CAGE CODE 00779 DRAWING NO C-1106402 RESTRICTED TO - CUSTOMER DRAWING SCALE 1:1 SHEET 1 OF 1 REV A9

AMP 1470-19 REV 31MAR2000

Pro/ENGINEER DRAWING