

4

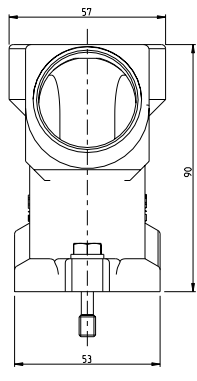
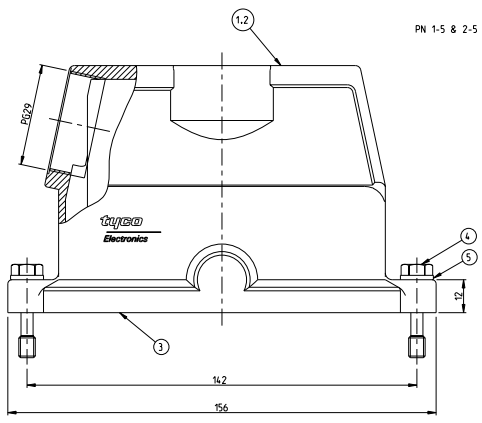
3

2

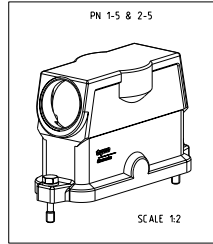
1

THIS DRAWING IS UNPUBLISHED. RELEASED FOR PUBLICATION BY TYCO ELECTRONICS CORPORATION. ALL RIGHTS RESERVED.

LOC	DIST	REV	DESCRIPTION	DATE	BY	APPD
A1	-	P	LYR			
		BZ	Released as per ECR-07-030419	17.12.07	SP	TS



- NOTES
- 1 Material: Housing: Aluminium Die-casting Alloy
Seals: Neoprene
 - 2 Surface: varnish-grey
Aluminium oxide-
Varnish: Black
 - 3 Varnish on the inside not necessary
 - 4 Packaging quantity: 5 pieces in a box



QTY	DESCRIPTION	MATERIAL	SURFACE	COLOR	ITEM NO	REMARKS
2	2 Spring washer	Stainless steel	Blank		5	
2	2 Fixing screw	Stainless steel	Blank		4	
1	1 O-Ring BgB	Neoprene	-	Black	3	
1	1 Hood HIP BgB	Aluminium	Aluminium oxide	Black	2	
1	1 Hood HIP BgB	Aluminium	-	Grey	1	
2-5	1-5 DESCRIPTION	MATERIAL	SURFACE	COLOR	ITEM NO	REMARKS
ORDERING TEXT						
HIP-24/64.STS.1.29.G						
HIP-K.24/64.STS.1.29.G						

DIMENSIONS: mm		TO BE CHECKED BY THE CUSTOMER: 1 PLC 2 PLC 3 PLC 4 PLC ANGLES FINISH		Dwg: 02.07.99 Ck: 02.07.99 Appd:	Tyco Electronics AMP GmbH D-53819 Neunkirchen, Germany
PRODUCT SPEC 108-74030		NAME Hood Size8 HIP.24/64.STS.1.29.G		SIZE CASE CODE DRAWING NO A2 00779 C-1102660	
APPLICATION SPEC 114-74017		WEIGHT 540 g		RESTRICTED TO -	
MATERIAL		CUSTOMER DRAWING		SCALE 1:1 SHEET 1 of 1 REV B2	