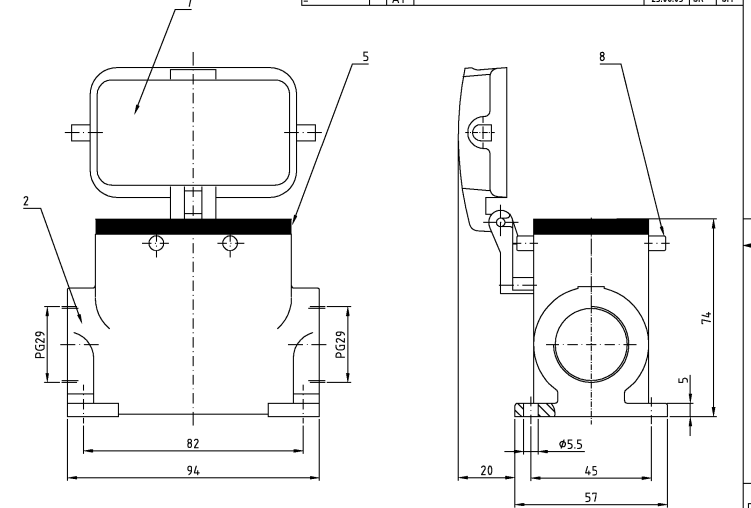
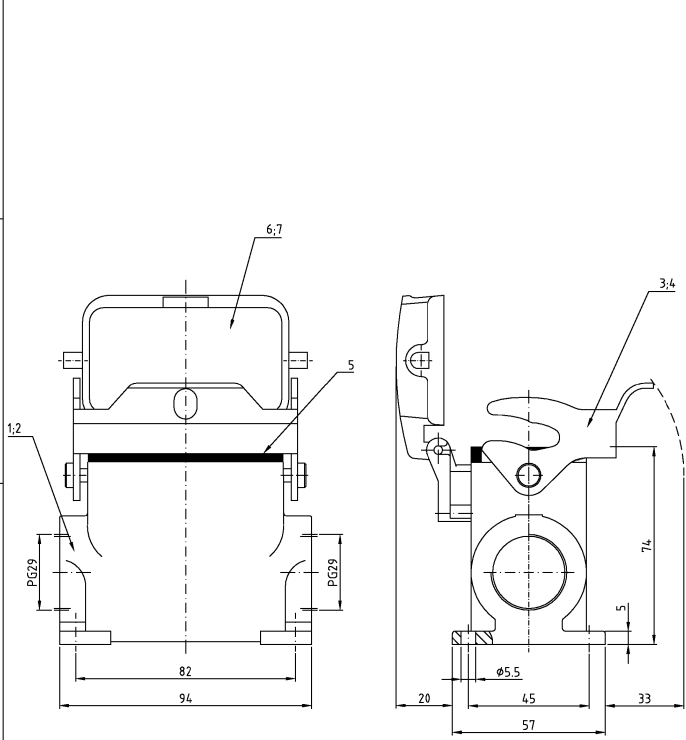


REV. NO.		BY	DATE	DESCRIPTION	DATE	BY	APPV
A1		-	-	neu gezeichnet; EGD0-4170-43	25.08.03	SR	SM



- Notes:
- ⚠ Material: Housing: aluminum diecasting alloy
  - ⚠ Surface: Varnish - aluminumoxid- Varnish black - grey
  - ⚠ Varnish on the inside not necessarily
- Bemerkungen:
- ⚠ Material: Gehäuse: Alu-Druckguß-Legierung
  - ⚠ Oberfläche: Lackierung - Aluminiumoxid- Lackierung schwarz - grau
  - ⚠ Lackierung im Gehäuseinnere ist nicht notwendig

QTY	DESCRIPTION / BEZEICHNUNG	MATERIAL	SURFACE / OBERFLÄCHE	COLOR / FARBE	TECH. POS.	REMARKS / BEMERKUNGEN
4	VS-Bügelbolzen/clip bolt	V2A/stainless steel	blank/even	black/schwarz	8	
1 1	Deckel/cover	Aluminium/ALU	Aluminiumoxid	grey/grau	7	
1	1 Profildichtung/seal	Neoprene		black/schwarz	5	
1	1 LB-Bügel/side clip	V2A/stainless steel	blank/even	black/schwarz	4	
1	1 LB-Bügel/side clip	Stahl/steel	verzinkt/zink plated	blau/blue	3	
1	1 Sockelgehäuse HD-K-/ surface mounted housing side entry	Aluminium/ALU	Aluminiumoxid	black/schwarz	2	
1	1 Sockelgehäuse HD/ surface mounted housing side entry	Aluminium/ALU		grey/grau	1	

HD-K-24.SGD.2.29.Z	HD-K-24.SGD-LB.2.29.Z	HD-Z4.SGD-LB.2.29.Z	HD-Z4.SGD-LB.2.29.Z
--------------------	-----------------------	---------------------	---------------------

DATE	25.08.03	BY	Schneider
DATE	25.08.03	BY	Schweiger
DATE	25.08.03	BY	Schweiger

AMP	HTS Elektrotechnik
53819 Neunkirchen, Germany	
Surface mounted housing side entry	
Sockelgehäuse HD.24.SGD.2.29.Z	
SIZE	A2
CASE CODE	00779
DRAWING NO.	1102527
RESTRICTED TO	ALL PAGES

CUSTOMER DRAWING	DATE	25.08.03	BY	Schneider
WEIGHT	BEWICHT	-		
SCALE	MASSSTAB	1:1		
SHEET	BLATT	1	OF	1
REV.	REV.			A1

AMP 1471-9 REV 27JAN96 This is a TRANSLATED file from ComputerAided, Inc., Release Revision 12.2.5T