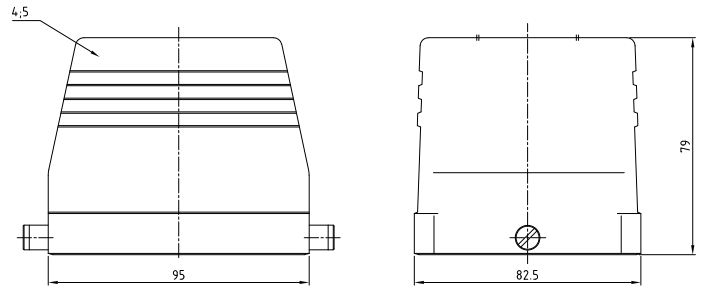
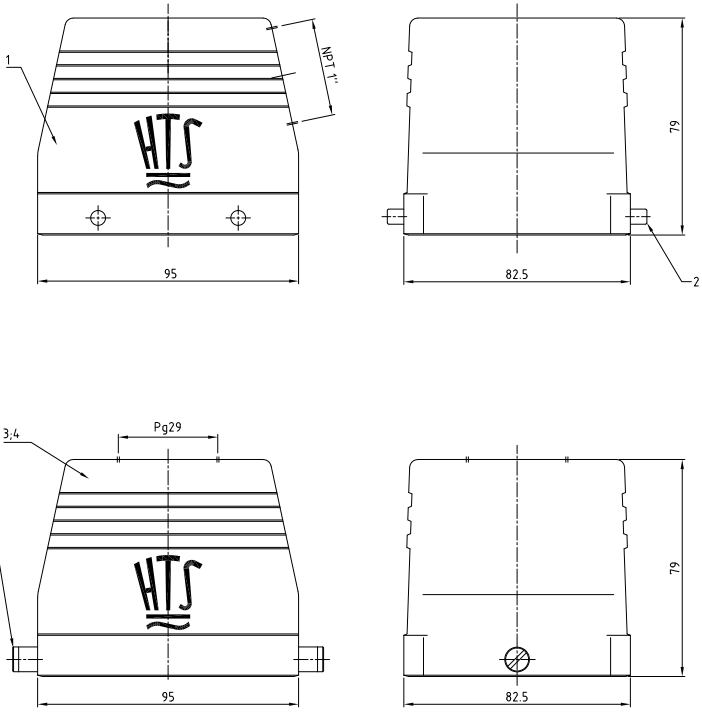


THIS DRAWING IS UNPUBLISHED. RELEASED FOR PUBLICATION. VERBAALDE UNVERPUBLIEKTE TEKENING. RELEAED FOR PUBLICATION. 1997. PAGES WITH PASTED ON. BY AMP INCORPORATED. ALL RIGHTS RESERVED. ALLE RECHTEN VERBEHALTEN. Bg9

LOC	QST	REVISIONS	DATE	BY	APPD
AI	-	DESCRIPTION			
PROPERTY NR.	AL	Drawing corrected: ECO-06-09495	11.04.2004	AR	SH
	AS	REVISED PER ECO-09-024717	06.05.09	KK	AEG



- Notes
- △ Packaging quantity 3 pieces
  - △ Varnish on the inside not necessary
  - △ OBSOLETE PARTS: OBSOLETE CIS STREAMLINING PER D.RENAUD/D.SINISI
- Bemerkungen
- △ Verpackungsmenge 3 Stück
  - △ Lackierung im Gehäuseinnere ist nicht notwendig

QTY	DESCRIPTION / BENENNUNG	MATERIAL	SURFACE / OBERFLÄCHE	COLOR / FARBE	ITEM NO. / POS.	REMARKS / BEMERKUNGEN		
2	2	2	LB-Bügelbolzen/clip bolt	Stahl/steel	verzinkt/zink plated	blue/blau	6	
1	1	1	Steckergehäuse HA.48/hood	aluminium/ALU		grey/grau	5	ohne HTS-Logo / without HTS-Logo
1	1	1	Steckergehäuse HA.48/hood	aluminium/ALU		grey/grau	4	ohne HTS-Logo / without HTS-Logo
1	4	4	VS-Bügelbolzen/clip bolt	Stahl/steel	verzinkt/zink plated	blue/blau	3	
1	1	1	Steckergehäuse HA.48/hood	aluminium/ALU		grey/grau	2	
1-7	0-3-0-2-0-1	1	Steckergehäuse HA.48/hood	aluminium/ALU		grey/grau	1	NPT-Gewinde / NPT-Thread

**AMP** HTS Elektrotechnik  
53819 Neunkirchen, Germany

Steckergehäuse  
Hood HA.48 Pg/M/NPT

SIZE: A2 CASE CODE: 00779 DRAWING NO.: 1102175  
TECHNINGS-NR.: 1102175

CUSTOMER DRAWING / KUNDENZEICHNUNG