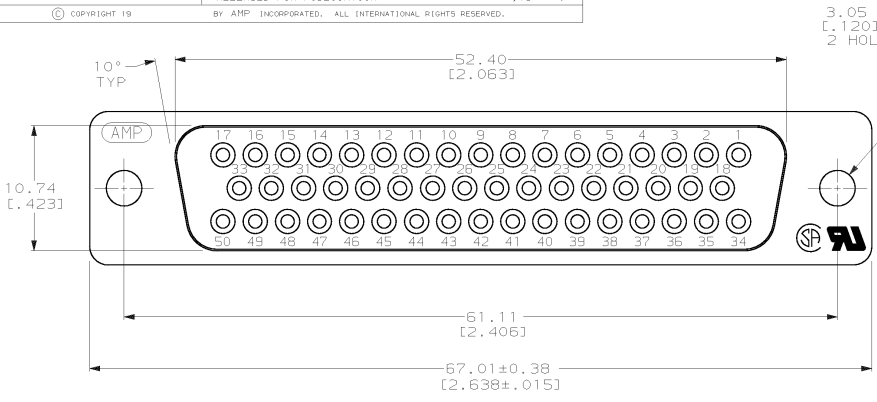
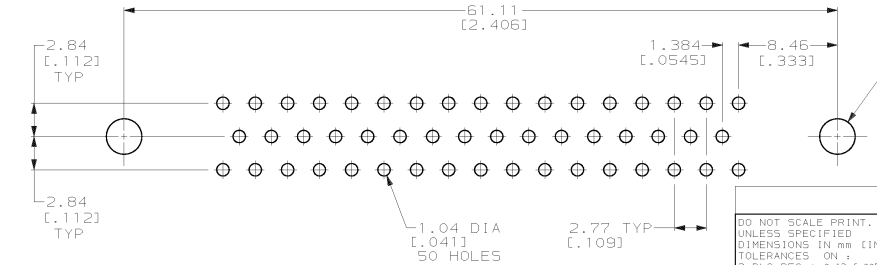
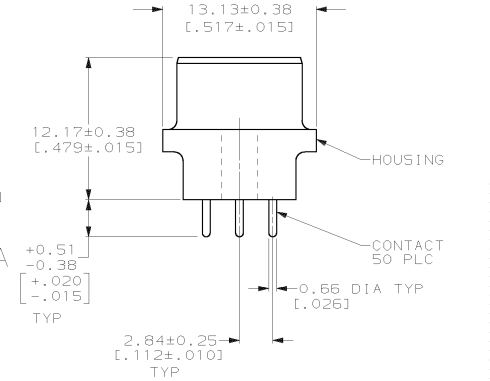
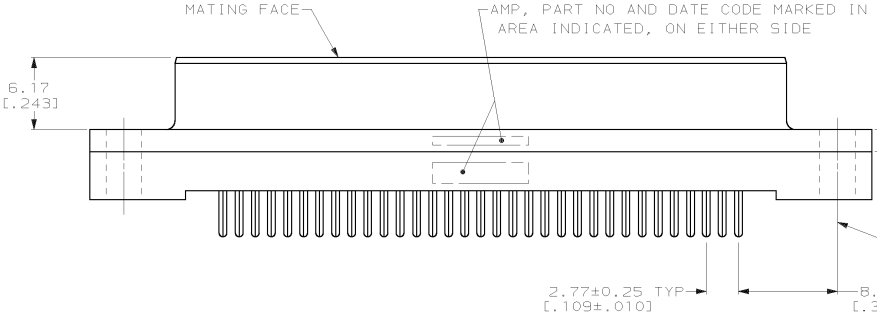


THIS DRAWING IS UNPUBLISHED. RELEASED FOR PUBLICATION .19  
 © COPYRIGHT 19 BY AMP INCORPORATED. ALL INTERNATIONAL RIGHTS RESERVED.

REVOLUTIONS		REVISIONS		DATE	APPD
LOC	QTY	ZONE	LTR	DESCRIPTION	
GP	00	P	F	H	REVISED PER EC 0513-0017-03
					13M103 JG



- ⚠ HOUSING: BLACK POLYESTER, UL 94V-0 RATED; CONTACTS: PHOSPHOR BRONZE PER QQ-B-750.
- ⚠ GOLD PLATING PER MIL-G-45204, TIN PLATING PER MIL-T-10727, NICKEL PLATING PER QQ-N-290.
- ⚠ GOLD FLASH FOR A LENGTH OF 2.54[.100] MIN FROM MATING END, 2.54μm[.000100] MIN TIN OR TIN-LEAD FOR A LENGTH OF DIMENSION A FROM OPPOSITE END, ALL OVER 1.27μm[.000050] MIN NICKEL.
- ⚠ 0.76μm[.000030] MIN GOLD FOR A LENGTH OF 2.54[.100] MIN FROM MATING END, 2.54μm[.000100] MIN TIN OR TIN-LEAD FOR A LENGTH OF DIMENSION A FROM OPPOSITE END, ALL OVER 1.27μm[.000050] MIN NICKEL.



REVOLUTIONS	REVISIONS	DATE	APPD
OBSOLETE	6.35 [0.250]	⚠	207830-8
OBSOLETE	6.35 [0.250]	⚠	207830-7
OBSOLETE	4.32 [0.170]	⚠	207830-6
SUPERSEDED BY 207830-6	4.32 [0.170]	⚠	207830-5
OBSOLETE	3.18 [0.125]	⚠	207830-4
OBSOLETE	3.18 [0.125]	⚠	207830-3

RECOMMENDED PC BOARD MOUNTING DIMENSIONS

DO NOT SCALE PRINT. UNLESS SPECIFIED DIMENSIONS IN mm (INCHES) TOLERANCES ON: 2 PLC DEC ± 0.13 (.005) 3 PLC DEC ± ANGLES ± 2°	DR 11-16-89 J McCLINTON CHK 2-1-90 R. STONE APPD 2-2-90 S. SCHIEFERLY APPD 2-2-90 C. RICHDE	NAME RECEPTACLE ASSEMBLY, SIZE 5, 50 POSN, VERTICAL, AMPLIMITE® HD-20
MATERIAL	PRODUCT SPEC 108-40025	SIZE C
FINISH	APPLICATION SPEC	CAGE CODE 00779
CONTACT: SEE TABLE	WEIGHT	DRAWING NO 207830
		SCALE 4:1
		SHEET 1 OF 1