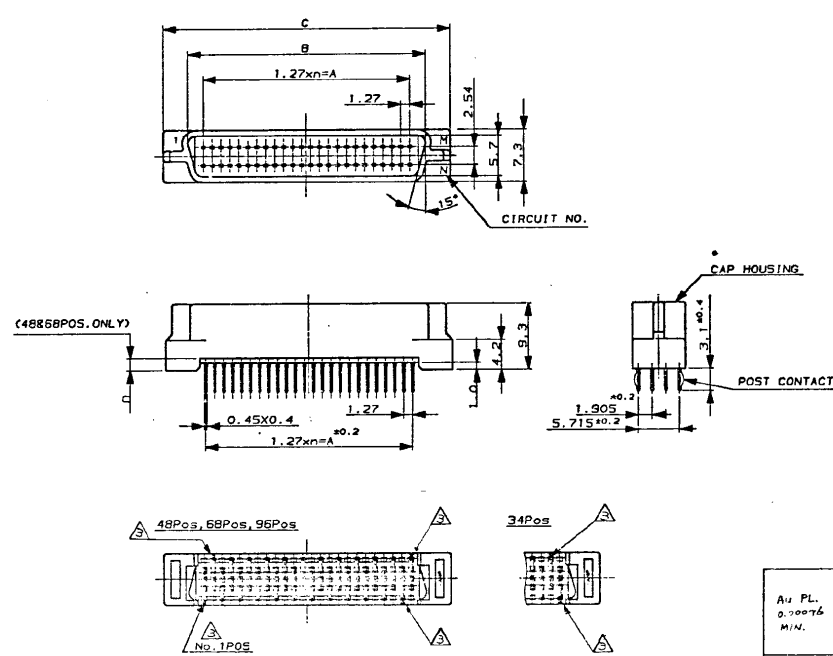


NUMBER C-174683
 METRIC
 DIMENSIONS IN MILLIMETERS. DO NOT SCALE PRINT
 PRINT DIST
 REF 10/83



NOTES:
 1 MATERIAL AND FINISH
 CAP HOUSING
 THERMOPLASTIC (UL94V-0) COLOR:BLACK
 POST CONTACT
 PHCS-BRONZE FINISH:OVER NICKEL
 MATING END:0.0002 MIN. OR
 0.00075 MIN. GOLD
 TERMINATION END:TIN-LEAD
 OVER SEALING TREATMENT.
 2 P.C.B LAYOUT AND P.C.B TREATMENT (REF.)
 USE A P.C.B SURFACE ARE TREATED WITH SOLDER RESIST.
 UNACCUMULATE TOLERANCE
 1.27x n=A
 2.54±0.05
 1.27±0.05
 34Pos.
 ON BOARD SIDE
 UNACCUMULATE TOLERANCE
 1.27x n=A
 2.54±0.05
 1.27±0.05
 48Pos, 68Pos, 96Pos
 ON BOARD SIDE
 KINK POSITIONS (4 POSITIONS)

Au PL. 0.00075 MIN.	96	48	59.69	64.05	71.00	---	47	96	5-174683-8
	68	34	41.91	46.28	53.22	1.7	33	68	5-174683-7
Au PL. 0.0002 MIN.	48	24	29.21	33.58	40.52	1.7	23	48	5-174683-6
	34	17	20.32	24.69	31.63	---	16	34	5-174683-5
	96	48	59.69	64.05	71.00	---	47	96	174683-8
	68	34	41.91	46.28	53.22	1.7	33	68	174683-7
	48	24	29.21	33.58	40.52	1.7	23	48	174683-6
	34	17	20.32	24.69	31.63	---	16	34	174683-5
REMARK	CIRCUIT NO.		DIMENSION			n		PART NO.	

WIRE RANGE (KIND)		INSULATION DIA. (KIND)		NAME CAP ASS'Y VERTICAL (W/KINK) FOR AMPLINITE OSO SERIES & B-70-B CONN.	
B REVISED ECN-J-19/97 A ADD Au 0.75um 1-12/98 O ECN-J-10187	ECN: 1-12/98 Y.S. RN Y.S. RN Y.S. RN	MATERIAL FINISH	DR. Yo. SATO 3/23/87 DE. CHK. RAUSHIWA APP. 1-12/98	GENERAL TOLERANCE 0mm 10 ± 0.2 10mm 30 ± 0.25 30mm 100 ± 0.3 ANGLES ± 33'	SIZE LOC NUMBER A3 J C-174683 SCALE REV. SHEET 2-1 B 10/1
LTR REVISION RECORD DR CNK DATE		DR. Yo. SATO 3/23/87 DE. CHK. RAUSHIWA APP. 1-12/98		GENERAL TOLERANCE SIZE LOC NUMBER	

AMP AMP (JAPAN), LTD.
 Tokyo, Japan