

4

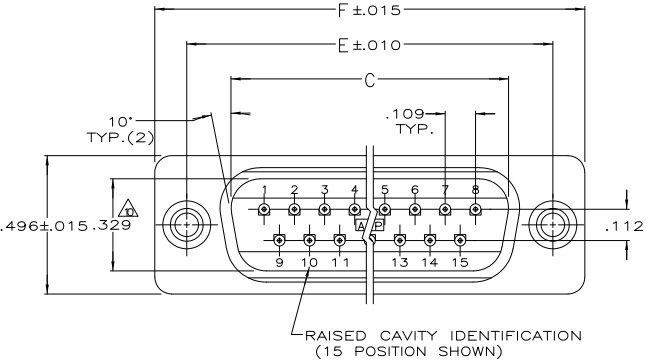
3

2

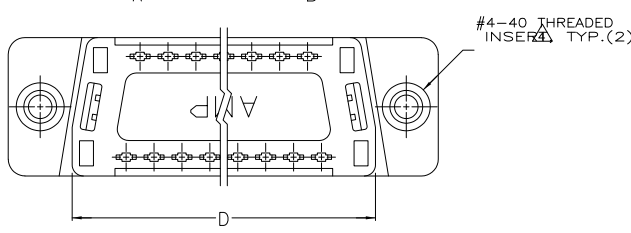
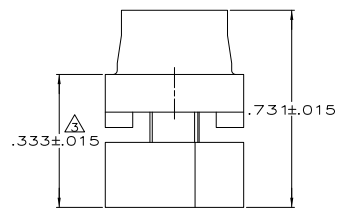
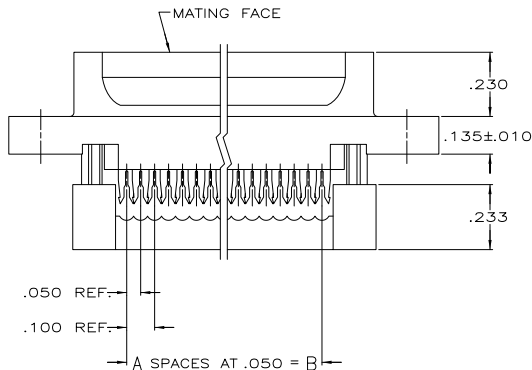
1

THIS DRAWING IS UNPUBLISHED. RELEASED FOR PUBLICATION
 © COPYRIGHT BY TYCO ELECTRONICS CORPORATION. ALL RIGHTS RESERVED.

LOC	DIST	REVISIONS		DATE	BY	APP'D
---	---	P	LR	DESCRIPTION		
		C2		REVISED PER ECO-07-008164	15AUG07	JDP/CWR



- CONNECTORS COMPLY WITH AMP SPEC. 108-40,012 AND MATE WITH ANY SAME NUMBER POSITION PLUG CONNECTOR IN AMPLIMITE SERIES.
 - CONNECTOR DESIGNED FOR 28 AND 26 AWG STRANDED AND SOLID CONDUCTOR RIBBON CABLE ON .050 ϕ .
- △ DIMENSION APPLIES TO TERMINATED CONNECTOR.
 - △ INSERTS WILL WITHSTAND 6 IN. LBS. TORQUE AND 50 LBS. PULL OUT FORCE FROM MATING FACE SIDE.
 - △ MOLDED PARTS: FLAME RETARDANT 94V-0 RATED THERMOPLASTIC; COLOR: BLACK.
 - △ CONTACTS: PHOS. BRONZE PER QQ-B-750.
 - △ INSERTS: BRASS PER MIL-C-50.
 - △ GOLD PLATING PER MIL-G-45204, BRIGHT TIN PLATING PER MIL-T-10727 (NOT TIN LEAD), NICKEL PLATING PER QQ-N-290.
 - △ CONTACTS: .000030 GOLD ON MATING END, .000100-.000200 BRIGHT TIN OR BRIGHT TIN LEAD ON TERMINATION END, ALL OVER .000050 NICKEL ON ENTIRE CONTACT.
 - △ DIMENSION APPLIES TO BASE OF SHROUD.
 - △ ADVANCED PART NUMBER, NOT PRODUCTION TOOLED.



	1.764	1.526	1.287	1.140	.900	18	19	747053-5
OBSOLETE	1.216	.984	.759	.666	.400	8	9	747053-4
OBSOLETE	1.541	1.312	1.087	.994	.700	14	15	747053-3
OBSOLETE	2.090	1.852	1.623	1.534	1.200	24	25	747053-2
OBSOLETE	2.732	2.500	2.275	2.183	1.800	36	37	747053-1
	F	E	D	C	B	A	NO.OF POS.	PART NUMBER

THIS DRAWING IS A CONTROLLED DOCUMENT.

DIMENSIONS:	INCHES	OTHER UNITS:	OTHER UNITS:
0 PL	---	---	---
1 PL	---	---	---
2 PL	---	---	---
3 PL	---	---	---
4 PL	---	---	---
ANGLES	---	---	---
MATERIAL	---	---	---
FINISH	---	---	---

DESIGNED BY	J. GERACE	DATE	01NOV82
CHECKED BY	J. GERACE	DATE	01NOV82
APPROVED BY	R. LEGGETT	DATE	08NOV82
PRODUCT SPEC.	---	---	---
APPLICATION SPEC.	---	---	---
WEIGHT	---	---	---

TYCO ELECTRONICS CORPORATION
 HARRISBURG, PA 17105-3608

PLUG ASSEMBLY, LOW PROFILE HDF,
 WITH PRE-ASSEMBLED COVER AND THREADED INSERTS

SIZE: A2
 CASE CODE: 00779
 DRAWING NO: C=747053

CUSTOMER DRAWING
 SCALE: ---
 SHEET: 1 of 1
 REV: C2

AMP 1471-9 REV 31MM2000

747053

A