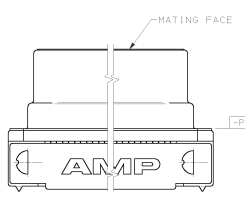
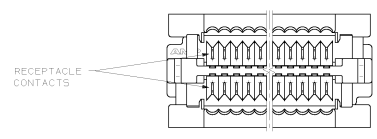
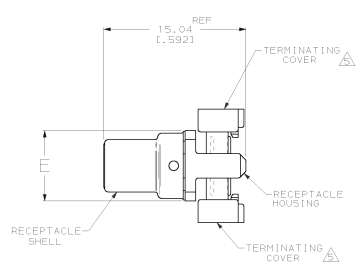
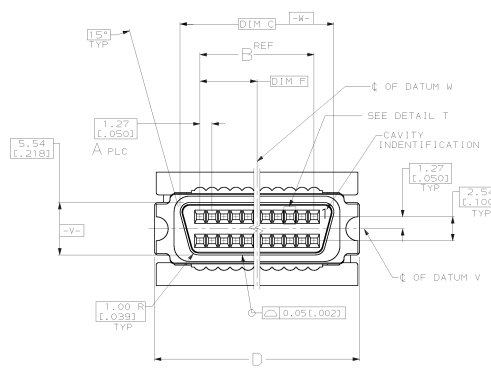
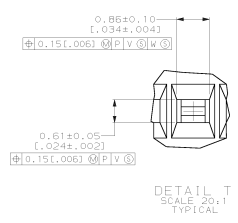


| REV | DATE | DESCRIPTION | BY | CHKD |
|-----|------|-----------------------------|-----|------|
| 00 | 00 | REVISED PER EC 0513-0174-03 | MMW | JG |



- △ MATERIAL:
 RECEPTACLE CONTACTS- PHOSPHOR BRONZE
 RECEPTACLE SHELL- STEEL
 RECEPTACLE HOUSING AND TERMINATING COVERS- UL V-0 RATED THERMOPLASTIC,
 COLOR: BLACK.
- △ FINISH:
 RECEPTACLE CONTACTS- 0.00076 (.000030) MINIMUM GOLD PLATE IN CONTACT AREA,
 0.00127 (.000050) MINIMUM BRIGHT TIN-LEAD PLATE IN TERMINATION AREA,
 ALL OVER 0.00127 (.000050) MINIMUM NICKEL.
- △ PLATING:
 RECEPTACLE SHELL- 0.00508 (.000200) MINIMUM BRIGHT NICKEL PLATE OVER
 0.00127 (.000050) MINIMUM COPPER.
- 4. RECOMMENDED WIRE:
 28 AWG OR 30 AWG, SOLID OR 7 STRANDED, WITH A 0.74-0.91 (.029-.036)
 INSULATION DIA, WIRE MUST BE APPROVED BY AMP INCORPORATED.
- △ TERMINATING COVERS ARE PACKAGED SEPARATELY.
- △ OBSOLETE PART NUMBER.
- △ FINISH:
 RECEPTACLE CONTACTS- 0.00076 (.000030) MINIMUM GOLD PLATE IN CONTACT AREA,
 0.00300 (.000100) MINIMUM BRIGHT TIN PLATE IN TERMINATION AREA,
 ALL OVER 0.00127 (.000050) MINIMUM NICKEL.



OBSOLETE

| CONTACT FINISH | F | E | D | C | B | A | NO. OF PINS | PART NO. |
|----------------|---------------|-------------|---------------|---------------|---------------|---|-------------|----------|
| △ | 20.96 (.825) | 7.44 (.293) | 51.54 (2.029) | 46.13 (1.816) | 41.91 (1.650) | | 33 | 68 |
| △ | 15.24 (.600) | 7.44 (.293) | 40.11 (1.579) | 34.70 (1.366) | 30.48 (1.200) | | 24 | 50 |
| △ | 10.80 (.425) | 7.44 (.293) | 31.22 (1.229) | 25.81 (1.016) | 21.59 (.850) | | 17 | 36 |
| △ | 31.12 (1.225) | 9.47 (.373) | 71.86 (2.829) | 64.45 (2.536) | 62.23 (2.450) | | 49 | 100 |
| △ | 20.96 (.825) | 7.44 (.293) | 51.54 (2.029) | 46.13 (1.816) | 41.91 (1.650) | | 33 | 68 |
| △ | 15.24 (.600) | 7.44 (.293) | 40.11 (1.579) | 34.70 (1.366) | 30.48 (1.200) | | 24 | 50 |
| △ | 12.06 (.475) | 7.44 (.293) | 33.76 (1.329) | 28.35 (1.116) | 24.13 (.950) | | 19 | 40 |
| △ | 7.62 (.300) | 7.44 (.293) | 24.87 (.979) | 19.46 (.766) | 15.24 (.600) | | 12 | 26 |

| | | |
|---|---|---|
| DO NOT SCALE PRINT. UNLESS SPECIFIED DIMENSIONS IN MM (INCHES) PREFERRED. 28 AWG 3 PLS DEC # 108-1228 | DR 05/31/89 N. KACAPPEY CHR 05/02/89 DAVID DAVIS APPD 05/02/89 DAVID WIESNER APRD 05/02/89 ROBERT WHITMAN MDDLT SPEC 108-1228 | AMP INCORPORATED MILFORD, PA. 17105 |
| MATERIAL | NAME | KIT, RECEPTACLE CABLE CONNECTOR ASSEMBLY, AMPLIMITE® 050 Series |
| FINISH | APPLICATION SPEC | SIZE |
| SHELL | 114-40029 | D |
| CONTACTS: SEE TABLE | REVISION | SCALE |
| | | 4:1 |