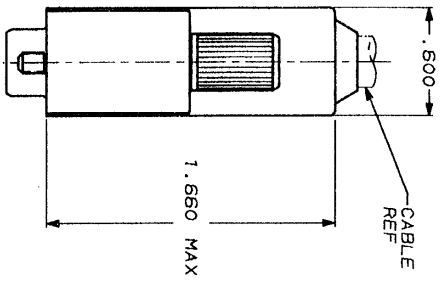
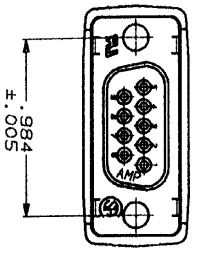
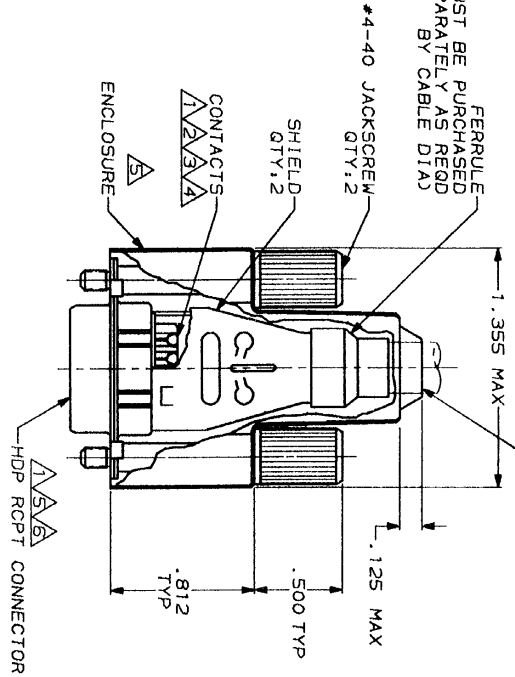


FERRULE
 (MUST BE PURCHASED SEPARATELY AS READ BY CABLE DIA)
 EXPANDING NECK ACCOMMODATES CABLE FROM .190-.375 DIA



- △ RCPT CONNECTOR FULLY LOADED WITH CONTACTS. ALL OTHER PARTS ARE SHIPPED UNASSEMBLED, EACH PART INDIVIDUALLY BULK PACKED.
- △ PHOSPHOR BRONZE PER QQ-B-750.
- △ SOLDER CUP WILL ACCOMMODATE 20 AWG MAX WIRE.
- △ GOLD FLASH FOR LENGTH OF .150 MIN ON MATING END. .000150-.000300 TIN LEAD ON SOLDER END, ALL OVER .000030 NICKEL ON ENTIRE CONTACT.
- △ FLAME RETARDANT 94V-0 RATED THERMOPLASTIC, BLACK.
- △ STEEL PER ASTM A109.
- △ TIN PLATING PER MIL-T-10727.
- △ ZINC PLATING PER ASTM B633, TYPE 11, CLASS SC1, BLACK CHROMATE.

REV	DATE	APPD	DESCRIPTION
B	6/7/90		REDRAIN
C	6/31/91		REV PER ECN B04814
D	9-2-91	TMS	REV PER ECN B050-49
E	2/26/93	TMS	REVISED PER ECN B06133

DO NOT SCALE PRINT. UNLESS SPECIFIED DIMENSIONS IN INCHES	DR 6/7/90	DR 6/7/90
2 P.C DEC ± .020	CHK 8-31-90	A. STABO BG
3 P.C DEC ± .020	J. MCCLINTON	
ANGLES	APPD 5-4-90	BOB TAYLOR
MATERIAL	APPD 9-4-90	J. ASSINI
CONTACTS, △	PRODUCT SPEC	
SHELLS & SHIELDS, △		
JACKSCREWS, ZINC ALLOY		
HOLDER PARTS △		
FINISH	APPLICATION SPEC	
CONTACTS, SEE TABLE		
SHELLS & SHIELDS, △		
JACKSCREWS, △		

CONTACT FINISH	748047-1
PART NUMBER	

NAME	AMP INCORPORATED Hartford, Pa. 17105
SIZE	FSCN NO 00779
SCALE	2:1
DRAWING NO	748047
SHEET	1 OF 1