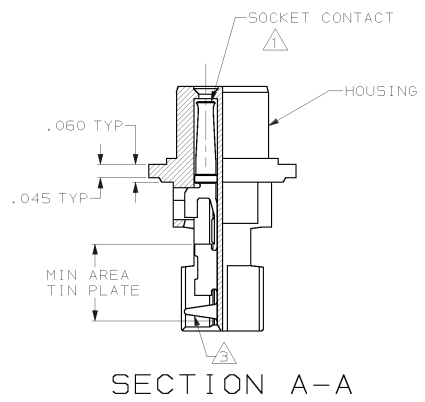
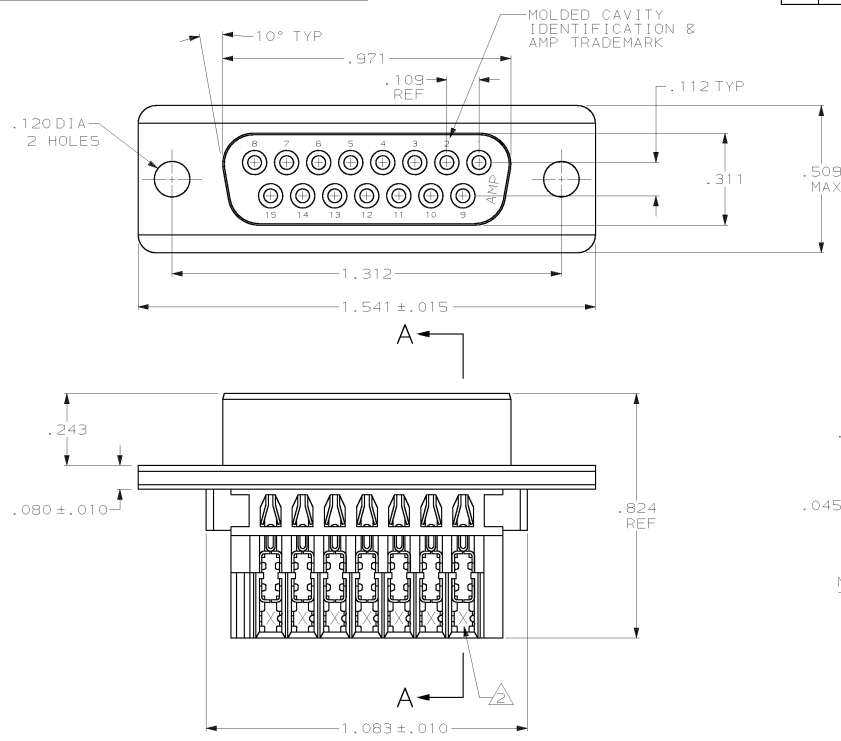


LOC	DIST	P	F	ZONE	LTR	DESCRIPTION	DATE	APPD
GP	00				M	REVISED PER EC 0513-0300-04	3/26/94	JG



- ① HOUSING FULLY LOADED WITH CONTACTS.
- ② NUMBER ON CONTACT INDICATES WIRE RANGE.
- ③ CONTACT INSULATION RANGE: .060 MAXIMUM O.D.
- ④ CONTACTS PLATED .000030 GOLD ON MATING END FOR .100 MIN LENGTH. .000100-.000200 THICK BRIGHT TIN OR BRIGHT TIN-LEAD IN AREA SHOWN. .000050 THICK NICKEL UNDERPLATE ON ENTIRE CONTACT.
- ⑤ CONTACTS PLATED WITH GOLD FLASH ON MATING END FOR .100 MIN LENGTH. .000100-.000200 THICK BRIGHT TIN OR BRIGHT TIN-LEAD IN AREA SHOWN. .000030 THICK NICKEL UNDERPLATE ON ENTIRE CONTACT.
- ⑥ CONTACTS PLATED .000030 GOLD ON MATING END FOR .100 MIN LENGTH. .000100-.000200 THICK MATTE TIN IN AREA SHOWN. .000050 THICK NICKEL UNDERPLATE ON ENTIRE CONTACT.
- ⑦ CONTACTS PLATED WITH GOLD FLASH ON MATING END FOR .100 MIN LENGTH. .000100-.000200 THICK BRIGHT TIN IN AREA SHOWN. .000030 THICK NICKEL UNDERPLATE ON ENTIRE CONTACT.

FINISH	AWG WIRE RANGE	PART NUMBER
OBSOLETE	⑦	2 #22-26 745205-8
OBSOLETE	⑥	2 #22-26 745205-7
OBSOLETE	③	3 #20-22 745205-6
OBSOLETE	⑤	2 #22-26 745205-5
OBSOLETE	①	1 #26-30 745205-4
OBSOLETE	③	3 #20-22 745205-3
OBSOLETE	②	2 #22-26 745205-2
OBSOLETE	①	1 #26-30 745205-1

DO NOT SCALE PRINT. UNLESS SPECIFIED DIMENSIONS IN INCHES. TOLERANCES ON: 2 PLC DEC ± .005 3 PLC DEC ± .005 ANGLES ± 2°	DR 4-9-90 J GALLUCCI B6 CHK 6-21-90 W. LENKER APPD 6-22-90 J. WESTMAN APPD 6-22-90 J. ASSINI	AMP AMP INCORPORATED Harrisburg, Pa. 17105 NAME RECEPTACLE ASSEMBLY, SIZE 2, 15 POSITION, AMPLIMITE™
MATERIAL HOUSING: BLACK THERMOPLASTIC 94V-0 RATED CONTACTS: PHOSPHOR BRONZE	PRODUCT SPEC 108-40011	
FINISH SEE TABLE	APPLICATION SPEC 114-40002	SIZE C FSCM NO 00779 DRAWING NO 745205
WEIGHT -	SCALE 4:1	SHEET 1 OF 1