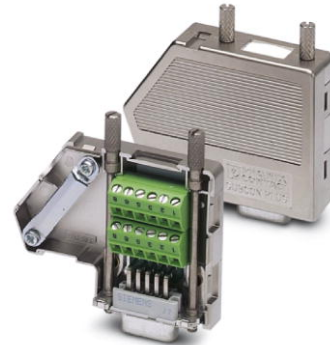


SUBCON-PLUS M1

Order No.: 2761826

The illustration shows version SUBCON-PLUS M 2



<http://eshop.phoenixcontact.de/phoenix/treeViewClick.do?UID=2761826>

D-SUB connector, 9-pin, with two cable entries, bus system: MODBUS, MODBUS-PLUS, BITBUS, ARCNET, MULT/MININET (B&R), SYSTEM 2003 (B&R), P-NET, pin assignment: 1, 2, 3, 5, 6, 8, version: Male

RS-485 *Modbus*

Commercial data	
EAN	4017918131821
Pack	1 pcs.
Customs tariff	85366990
Weight/Piece	0.0613 KG
Catalog page information	Page 554 (IF-2009)

Product notes

WEEE/RoHS-compliant since:
01/25/2007



<http://www.download.phoenixcontact.com>
Please note that the data given here has been taken from the online catalog. For comprehensive information and data, please refer to the user documentation. The General Terms and Conditions of Use apply to Internet downloads.

Technical data

General data

Nominal voltage U_N	60 V AC/DC
Nominal current I_N	1 A
Bus system	MODBUS, MODBUS-PLUS, BITBUS, ARCNET, MULT/MININET (B&R), SYSTEM 2003 (B&R), P-NET

Insertion/withdrawal cycles	> 200
Max. cable diameter	10 mm
Min. cable diameter	6 mm
SUBCON fixing screws	4-40 UNC
Tightening torque	0.4 Nm
Ambient temperature (operation)	-20 °C ... 75 °C
Housing material	ABS, metal-plated
Pin assignment	1,2,3,5,6,8 on two terminal blocks
Width	16 mm
Height	44 mm
Length	60 mm

Connection data

Connection	D-SUB connection
Number of positions	9
Type of connection	D-SUB connector
Tightening torque	0.4 Nm
Connection	PCB connection
Type of connection	Screw connection
Conductor cross section solid min.	0.14 mm ²
Conductor cross section solid max.	1.5 mm ²
Conductor cross section stranded min.	0.14 mm ²
Conductor cross section stranded max.	1 mm ²
Conductor cross section AWG/kcmil min.	26
Conductor cross section AWG/kcmil max	16
Stripping length	5 mm
Tightening torque	0.4 Nm

Certificates / Approvals



Certification

CUL, GOST, UL

Accessories

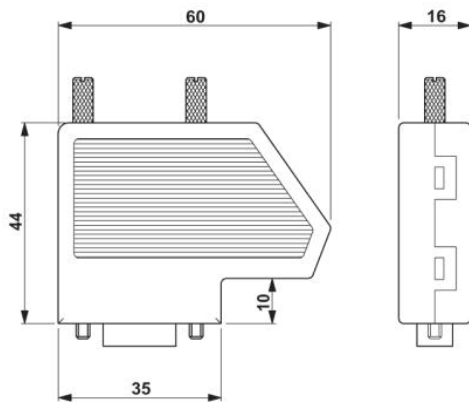
Item	Designation	Description
------	-------------	-------------

Assembly

2799694	SUBCON-SHORT-SCREW	Optional fixing screw, short (w/o knurl)
---------	--------------------	--

Diagrams/Drawings

Dimensioned drawing



Dimensional drawing SUBCON-PLUS...

Address

PHOENIX CONTACT Deutschland GmbH
Flachsmarktstr. 8
32825 Blomberg, Germany
Phone +49 5235 3 12000
Fax +49 5235 3 41200
<http://www.phoenixcontact.de>



© 2010 Phoenix Contact
Technical modifications reserved;