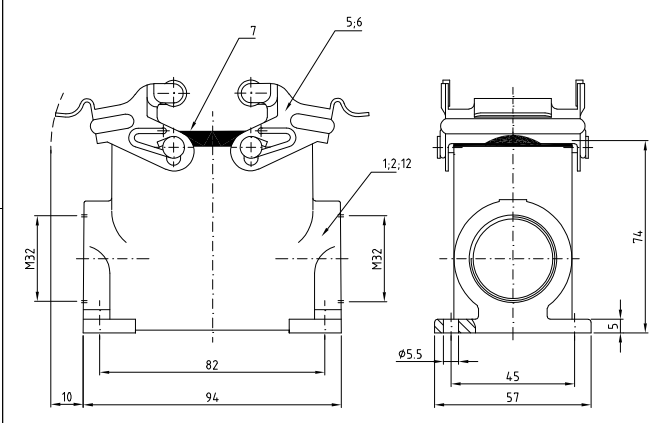
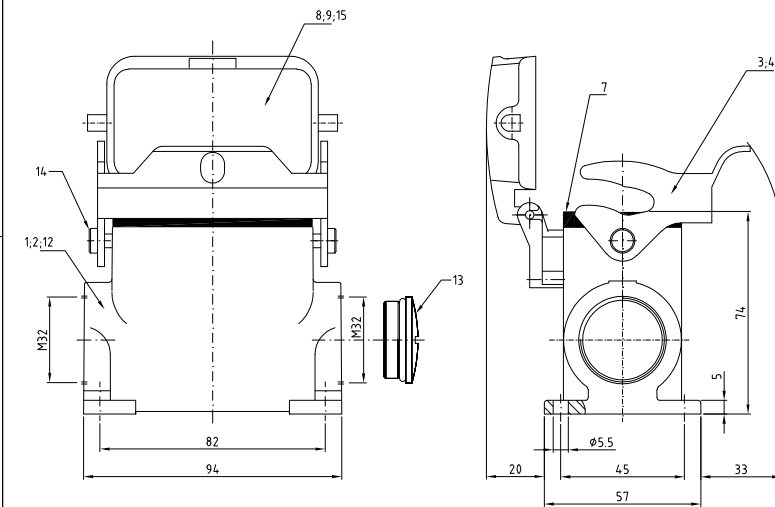
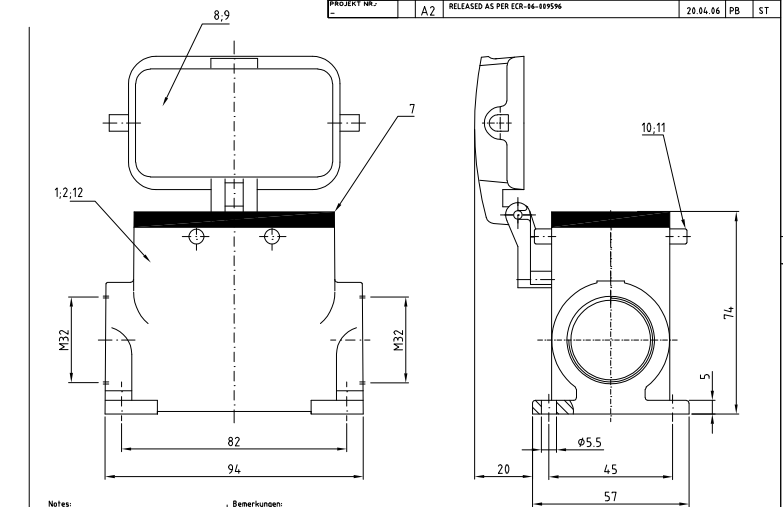


THIS DRAWING IS UNPUBLISHED.  
 VERBODEN TOEGANG TOT DE ZEKERHEIT ZEKERHEIT  
 RELEASÉ FOR PUBLICATION  
 FORTIFERS PRODUKTION  
 BY AMP INCORPORATED. ALLE RECHTEN VOORBEHouden.  
 COPYRIGHT 1998



LOC: AI - P LTR  
 PROJECT NR.: A2  
 REVISIONS  
 DESCRIPTION: RELEASED AS PER ECR-44-89596  
 DATE: 20.04.96  
 DRAWN: PB  
 APPROVED: ST



Notes:  
 Δ Material: Housing: aluminium diecasting alloy  
 Δ Surface: Varnish - aluminiumoxid-  
 - Varnish black  
 - grey  
 Δ Varnish on the inside not necessarily

Bemerkungen:  
 Δ Material: Gehäuse: Alu-Druckguß-Legierung  
 Δ Oberfläche: Lackierung - Aluminiumoxid-  
 - Lackierung schwarz  
 - grau  
 Δ Lackierung im Gehäuseinnere ist nicht notwendig

QTY	DESCRIPTION	MATERIAL	SURFACE / OBERFLÄCHE	COLOR / FARBE	ITEM NO. POS.	REMARKS / BEMERKUNGEN
1	Deckel/cover	Aluminium/ALU	-	grey/grau	15	ohne Logo
2	LB-Bügelbolzen/clip positioner	Stahl/steel	verzinkt/zink plated	blau/blue	14	-
1	Blanking Piece with Seal	Stahl/steel	-	blau/blue	13	-
1	Socketgehäuse HD surface mounted housing side entry	Aluminium/ALU	-	grey/grau	12	ohne Logo
-	VS-Bügelbolzen/clip positioner	V2A/stainless steel	blank/even	-	11	-
-	4 VS-Bügelbolzen/clip positioner	Stahl/steel	verzinkt/zink plated	blau/blue	10	-
-	Deckel/cover	Aluminium/ALU	aluminium oxid	black/schwarz	9	-
-	1 Deckel/cover	Aluminium/ALU	-	grey/grau	8	-
1	1 Profilichtung/profile seal	Neoprene	-	black/schwarz	7	-
-	- VS-Bügel/locking clip	V2A/stainless steel	blank/even	-	6	-
1	- VS-Bügel/locking clip	Stahl/steel	verzinkt/zink plated	blau/blue	5	-
-	- LB-Bügel/side clip	V2A/stainless steel	blank/even	-	4	-
1	- LB-Bügel/side clip	Stahl/steel	verzinkt/zink plated	blau/blue	3	-
-	- Socketgehäuse HD-K/ surface mounted housing side entry	Aluminium/ALU	aluminium oxid	black/schwarz	2	-
-	- Socketgehäuse HD surface mounted housing side entry	Aluminium/ALU	-	grey/grau	1	-

DIMENSIONS: DIMENSIONEN mm TOLERANCES UNLESS OTHERWISE SPECIFIED: ALL DIMENSIONS SPECIFIED IN MILLIMETERS UNLESS OTHERWISE SPECIFIED. DIMENSIONS UNLESS OTHERWISE SPECIFIED: ALLE DIMENSIONEN SIND IN MILLIMETER ANGEGEBEN UNLESS OTHERWISE SPECIFIED.	SCHNEIDER 12 8333 OSZ SCHWEIGER NAME PRODUCT SPEC PRODUKTSPEZ. APPLICATION SPEC VERANWENDUNGSSPEZ. WEIGHT GEWICHT CUSTOMER DRAWING /KUNDENZEICHNUNG	<b>AMP</b> HTS Elektrotechnik 53819 Neunkirchen, Germany Surface mounted housing side entry Socketgehäuse HD 24.SGD.2M32 SIZE: A2 CASE CODE: 00779 DRAWING NO.: 1106433 TECHNISCHE NR.: 1106433 TITEL: SOCKETGEHÄUSE HD 24.SGD.2M32 SHEET 1 OF 1 BLATT 1 VON 1 REVISION: A2
---	---	---

AMP 1471-9 REV 27JAN96 This is a TRANSLATED file from Computerization, Inc. Release Revision 12.2.5T