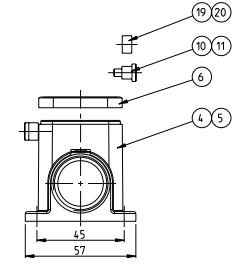
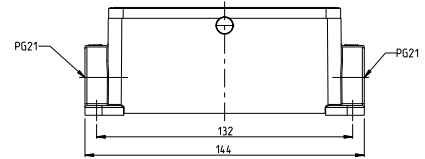
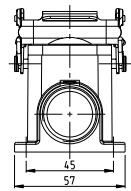
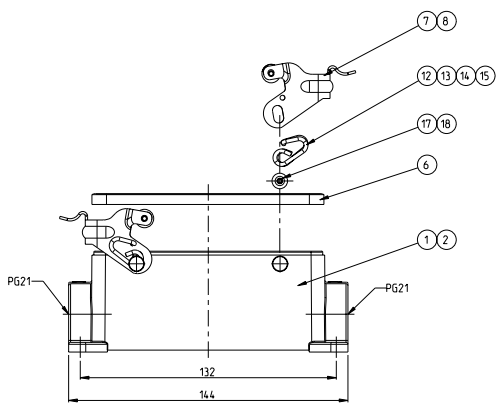
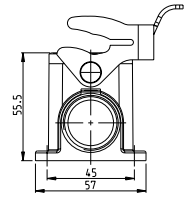
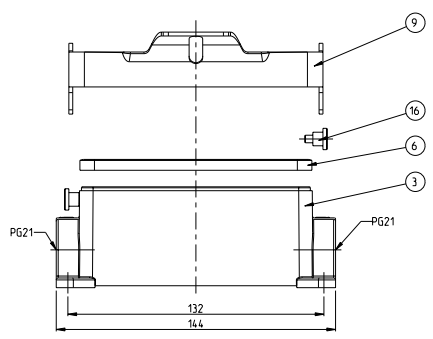


REV	DATE	DESCRIPTION	BY	CHK	APP
A1	-				
A3	08-09-03545				



- NOTES
- PART SHALL BE FREE AND CLEAN OF BURRS AND OTHER FOREIGN MATERIAL
 - PACKAGING: QUANTITY 3 PIECES
 - VARNISHING INSIDE HOUSING NOT REQUIRED



QTY	DESCRIPTION	MATERIAL	SURFACE	COLOR	ITEM	NOTES					
2	SLIDE SPOOL	STAINLESS STEEL	BLANC		20						
2	SLIDE SPOOL	STEEL	ZINC PLATED	BLUE	19						
4	LOCKING CLIP	STAINLESS STEEL	BLANC		18						
4	CLIP POSITIONER	STEEL	ZINC PLATED	BLUE	17						
2	CLIP POSITIONER	STEEL	ZINC PLATED	BLUE	16						
2	CLIP SPRING RIGHT	STAINLESS STEEL	BLANC		15						
2	CLIP SPRING RIGHT	STEEL	ZINC PLATED	BLUE	14						
2	CLIP SPRING LEFT	STAINLESS STEEL	BLANC		13						
2	CLIP SPRING LEFT	STEEL	ZINC PLATED	BLUE	12						
2	CLIP POSITIONER	STAINLESS STEEL	BLANC		11						
2	CLIP POSITIONER	STEEL	ZINC PLATED	BLUE	10						
1	SLIDE CLIP	STEEL	ZINC PLATED	BLUE	9						
2	LOCKING CLIP	STAINLESS STEEL	BLANC		8						
2	LOCKING CLIP	STEEL	ZINC PLATED	BLUE	7						
1	1	1	1	1	1	PROFILE SEAL	NEOPRENE		BLACK	6	
1	1	1	1	1	1	SURFACE MOUNTED HOUSING SIDE ENTRY	ALUMINIUM	ALUMINIUM OXID	BLACK	5	
1	1	1	1	1	1	SURFACE MOUNTED HOUSING SIDE ENTRY	ALUMINIUM		GREY	4	
1	1	1	1	1	1	SURFACE MOUNTED HOUSING SIDE ENTRY	ALUMINIUM		BLACK	3	
1	1	1	1	1	1	SURFACE MOUNTED HOUSING SIDE ENTRY	ALUMINIUM	ALUMINIUM OXID	BLACK	2	
1	1	1	1	1	1	SURFACE MOUNTED HOUSING SIDE ENTRY	ALUMINIUM		GREY	1	
2-8	1-8	1-2	1-2	1-1		DESCRIPTION	MATERIAL	SURFACE	COLOR	ITEM	NOTES
						HB-24-SG-VS-2.21.Z					
						HB-K-24-SG-VS-2.21.Z					
						HB-24-SG-1B-2.21.Z					
						HB-24-SG-2VGR-2.21.Z					
						HB-K/2-24-SG-2VGR-2.21.Z					

DATE: 08/01/2008	BY: FRED ELECTRONICS CORPORATION	SCALE: 1:1	PROJECT: SURFACE MOUNTED HOUSING SIDE ENTRY
REV: A1	DATE: 08/01/2008	APP: 007719	REV: 1
CUSTOMER DRAWING		DATE: 08/01/2008	REV: 1