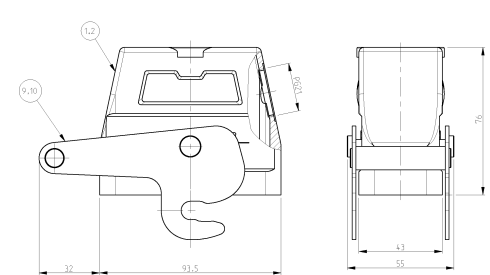
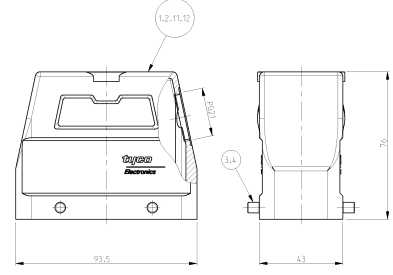


8 7 6 5 4 3 2 1
 HEADERS TO SUBSIDIES HEADERS FOR POSITIONING
 (3) construction BY Teco Electronics Corporation, P.O. BOX 191000

PN 1-3 & 2-3



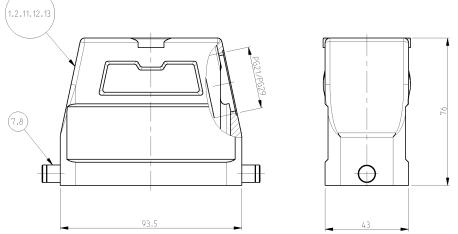
PN 0-4, 0-1, 2-6 & 1-6



REV.	DATE	REVISIONS	BY	CHK	APP
1		REVISION#			
2	10/12/1997	Released as per ECO-07-002910	W. HOFF	Sa	15
3		REVISED PER ECO-08-027197	DIFFEBIO	KK	HMR

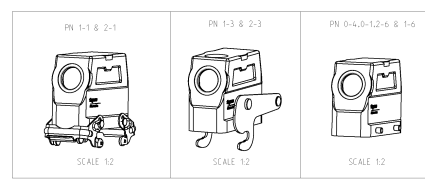
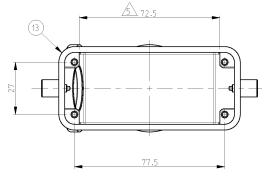
- NOTES
- 1. Material: Housing aluminum diecasting alloy
 - 2. Surface: powder varnish-grey Varnish black
 - 3. Varnish on the inside not necessary
 - 4. Packaging quantity 5 piece

PN 1-7 & 0-5

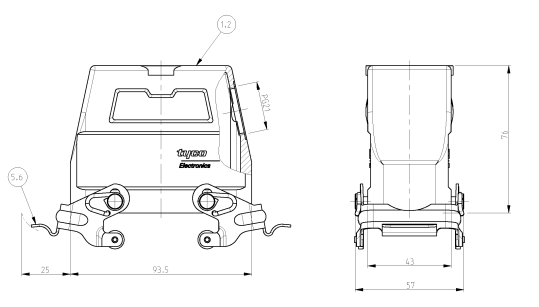


PN 0-3 & 0-6

Valid only for PN 0-3 & 0-6
 Landing at measure 72.5 (20mm Deep) milled off - both sides



PN 1-1 & 2-1



QTY	UNIT	DESCRIPTION	MATERIAL	SURFACE	COLOR	TCN NO	NOTES
1	1	HD-K Hood	Aluminum	Aluminum oxide	Black	13	Landing machines Δ
1	1	HD Hood	Aluminum	-	Grey	12	With out PG/with out TE-Logo
		ZB-Central clip	Aluminum	-	Grey	11	With out PG
		ZB-Central clip	Stainless Steel	-	-	10	-
		VB-Clip bolt	Steel	Zinc plated	Blue	9	-
		VB-Clip bolt	Stainless Steel	-	-	8	-
		VS-Clip bolt	Steel	Zinc plated	Blue	7	-
		VS-Clip bolt	Stainless Steel	-	-	6	-
		VS-Locking clip	Steel	Zinc plated	Blue	5	-
		VS-Locking clip	Stainless Steel	-	-	4	-
		VS-Clip bolt	Steel	Zinc plated	Blue	3	-
		VS-Clip bolt	Stainless Steel	-	-	2	-
		HD-K Hood	Aluminum	Aluminum oxide	Black	2	-
		HD-K Hood	Aluminum	-	Grey	1	-

ORDERING TEXT

Δ HD-K,40,STS-1,21,G
 HD-K,40,STS-1,21,G
 HD-K,40,STS-VS-1,21,G
 HD-K,40,STS-VS-1,21,G
 HD-K,40,STS-VS-1,21,G
 HD-K,40,STS-GR-1,21,G
 HD-K,40,STS-GR-1,21,G
 HD-K,40,STS-GR-1,21,G
 HD-K,40,STS-GR-1,21,G
 HD-K,40,STS-GR-1,21,G
 HD-K,40,STS-GR-1,21,G
 HD-K,40,STS-GR-1,21,G

		Teco Electronics Teco Electronics - APP Group D-53879, Neukirchen, Germany
DATE: 10.12.1997 DRAWN: W. HOFF CHECKED: S. HOFF APPROVED: S. HOFF	HOOD HD-K,40,STS-1,21,G/1,29,G	SCALE: 1:1 SHEET: 11 OF 15 DRAWING NO: 00779 (2-1102554)