

THIS DRAWING IS UNPUBLISHED
VERTRÄULICHE UNVERÖFFENTLICHE ZEICHNUNG

RELEASE FOR PUBLICATION
FREI FÜR VERÖFFENTLICHUNG

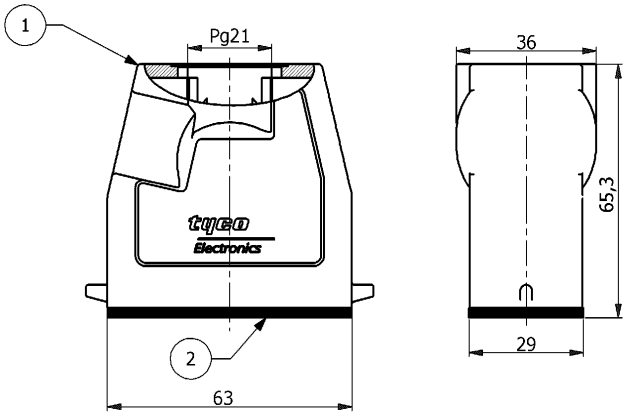
2000

ALL RIGHTS RESERVED
ALLE RECHTE VORBEHALTEN

BY AMP INCORPORATED

HD.15

LOC	DIST	REVISONS ÄNDERUNGEN					
AI	-	P	LTR	DESCRIPTION BESCHREIBUNG	DATE	DWN	APVD
PROJEKT NR. EGGMA05416		C1		RELEASED AS PER ECR-06-010559	5/2/2006	RS	ST



PN:1-7 as shown

NOTES

- 1 PACKAGING QUANTITY: 5 PIECES PER BOX
- 2 MATERIAL: HOUSING: ALUMINIUM DIE CAST ALLOY
SEALS: NEPRENE
- 3 SURFACE: VARNISH GREY
ALUMINIUM OXIDE +
VARNISH BLACK
- 4 VARNISH ON THE INSIDE NOT NECESSARY

(1:2)



PN:1-7
Ordering Text:
HD.15.STO.1.21.G

1	Profile Seal	Neoprene	-	Black	2	-
1	Hood	Aluminium	-	Grey	1	-
1-7	DESCRIPTION	MATERIAL	SURFACE	COLOR	ITEM NO.	REMARKS

<small>THIS DRAWING IS A CONTROLLED DOCUMENT FOR AMP INCORPORATED. IT IS SUBJECT TO CHANGE AND THE CONTROLLING ORGANIZATION SHOULD BE CONTACTED FOR THE LATEST REVISION. OTHER PERSONS INCORPORATING THIS DRAWING INTO THEIR OWN DESIGNS WITHOUT THE WRITTEN PERMISSION OF AMP INCORPORATED ARE PROHIBITED. DEN JEWELS LETZTLIEGENDE KUNDENZEICHNUNG ENTFÄHREN SIE AUF ANFRAGE.</small>		DWN	4/20/2006	Tyco / Electronics AMP GmbH D - 53819 Neunkirchen, Germany	
DIMENSIONS: DIMENSIONEN: mm		CRK	4/20/2006	NAME	
TOLERANCES UNLESS OTHERWISE SPECIFIED: ALLGEMEINTOLERANZEN h: ISO 2875 - p: ISO 2768 - m: DIN 16901 - 0 P/C 1 P/C 2 P/C 3 P/C ANGLES / WINKEL		APVD	4/20/2006	HOOD HD.15.STO.1.21.G	
MATERIAL		PRODUCIT SPEC. PRODUKTSPEZ.	108-74001;-74003	APPLICATION SPEC. VERANWENDUNGSPEZ.	
FINISH / OBERFLÄCHE / FARBE		WEIGHT GEWICHT	114-74004	SIZE GRÖßE	A3
2		CUSTOMER DRAWING / KUNDENZEICHNUNG		DRAWING NO. ZEICHNUNGS-NR.	1102436
3		SCALE MAßSTAB		1:1	SHEET BLATT
				1	OF VON
				1	REV. C1