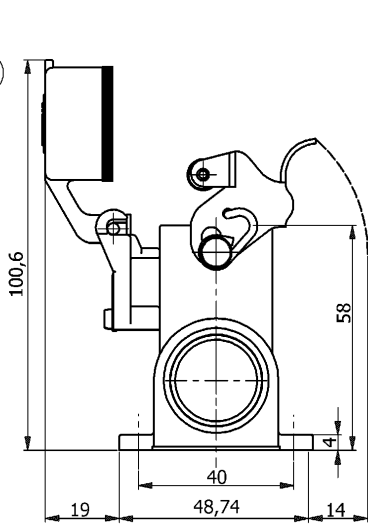
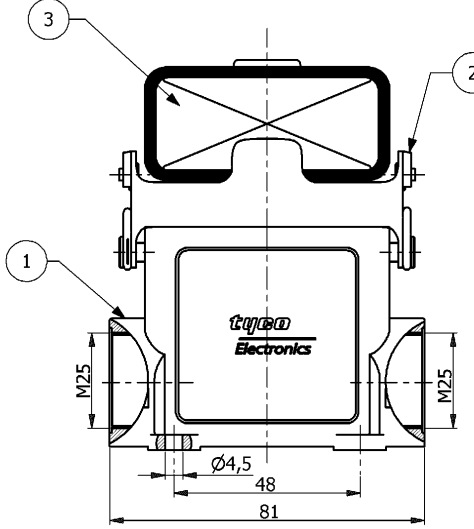
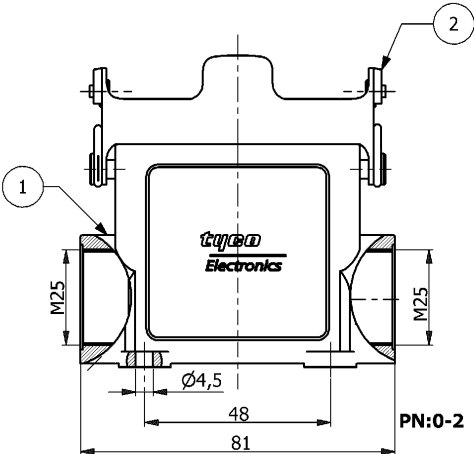


4		3		2		1							
THIS DRAWING IS UNPUBLISHED VERTRÄULICHE UNVERÖFFENTLICHE ZEICHNUNG		RELEASE FOR PUBLICATION FREI FÜR VERÖFFENTLICHUNG		MATED WITH: PASSEND ZU:		REVISONS ÄNDERUNGEN							
COPYRIGHT 2000		BY AMP INCORPORATED		BG2		LOC	DIST	P	LTR	DESCRIPTION BESCHREIBUNG	DATE	DWN	APVD
						AI	-			RELEASED AS PER ECR-06-010562	5/2/2006	RS	ST
						PROJEKT NR.	EGGMA05416	B1					



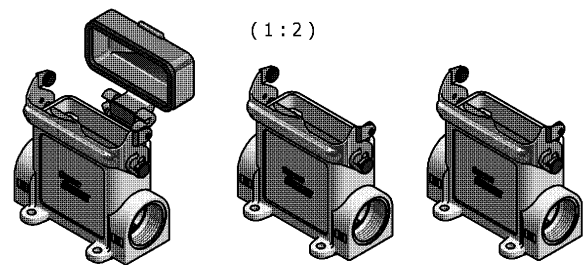
PN:0-1 as shown



PN:0-2 & 0-5 as shown

NOTES

- 1 PACKAGING QUANTITY: 5 PIECES PER BOX
- 2 MATERIAL:HOUSING:ALUMINIUM DIE CAST ALLOY
- 3 SURFACE:VARNISH GREY
- 4 VARNISH ON THE INSIDE NOT NECESSARY
- 5 SPECIAL PACKING



PN:0-1 Ordering Text: **HD.15.SGD-LB 2 M25.Z**
PN:0-2 Ordering Text: **HD.15.SG-LB 2 M25.Z**
PN:0-5 Ordering Text: **HD.15.SG-LB 2 M25.Z.KM**

QTY	DESCRIPTION	MATERIAL	SURFACE	COLOR	ITEM NO.	REMARKS
-	1 Cover	Aluminium	-	Grey	3	-
1	1 Clip	Steel	Zinc Plated	Blue	2	-
1	1 Surface Mounting Housing- Side Entry,HD	Aluminium	-	Grey	1	-
0-5	0-2 0-1					

DIMENSIONS: DIMENSIONEN: mm		TOLERANCES UNLESS OTHERWISE SPECIFIED: ALLGEMEINTOLERANZEN	
		H: ISO 2768 - mH-E P: ISO 2768 - mH-E M: DIN 16901 - 140	
MATERIAL		FINISH / OBERFLÄCHE / FARBE	

DWN R.SRINIVAS 4/25/2006	CTRK R.SRINIVAS 4/25/2006	APVD T.SCHNURPFEL 4/25/2006	NAME Tyco Electronics
PRODUKT SPEC. 108-74009		APPLICATION SPEC. 114-74004	
WEIGHT GEWICHT	SIZE A3	CAGE CODE 00779	DRAWING NO. 1106413
CUSTOMER DRAWING / KUNDENZEICHNUNG		SCALE MASSSTAB	SHEET BLATT
		1:1	1 OF 1
		REV B1	5

AMP 1471-9 REV 27JUN96 This is a TRANSLATED file from Computerwision, Inc., Mexico Revision 12.2.5T