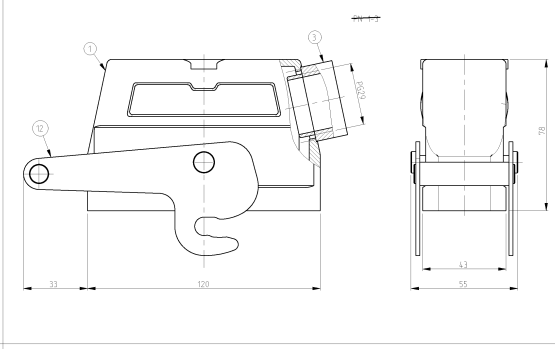
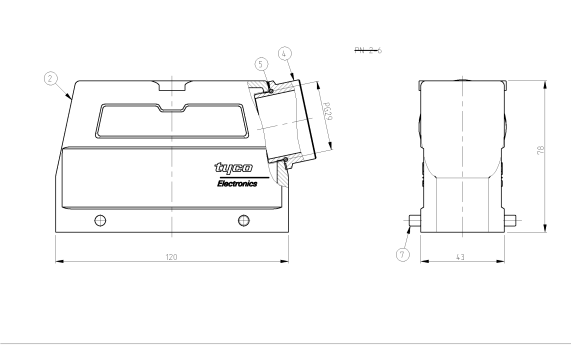
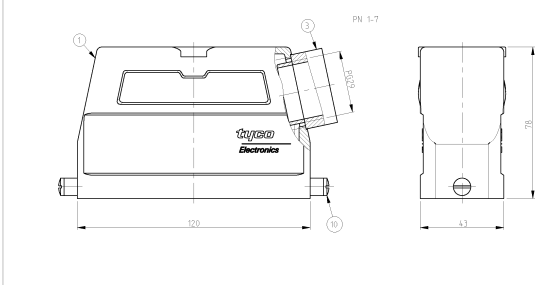
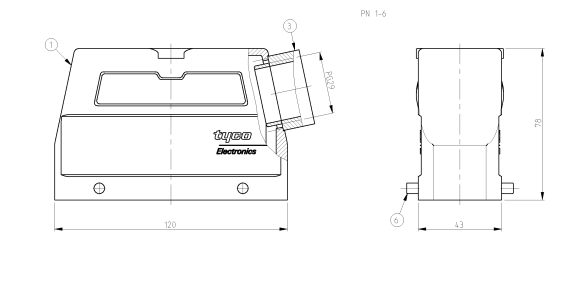
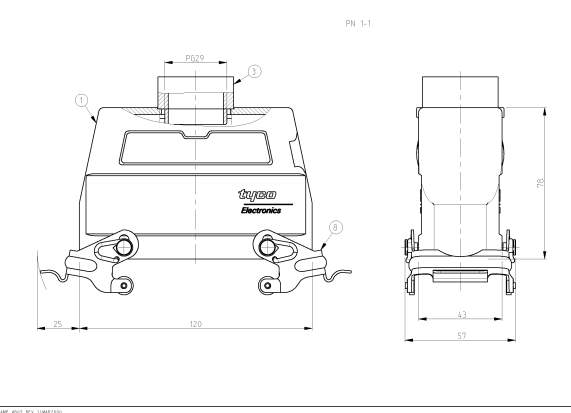
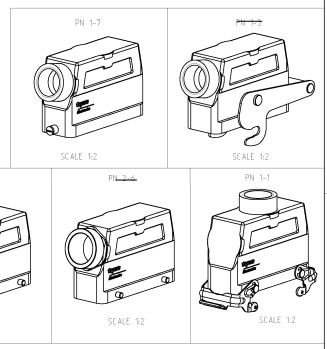


REVISIONS TO SPECIFICATION: REVISIONS TO DRAWING:
1. Construction BY TYCO ELECTRONICS CORPORATION, P.O. BOX 11000

REV.	DATE	DESCRIPTION	BY	CHK	APP
1	10/	INTERPRET			
A6		Released as per ECR: 07-030124			
A7		REVISED PER ECO-09-027197	12JAN10	KK	ARG



NOTES:
1 Material:Housing:Aluminum Diecasting Alloy
Seals:Neoprene
2 Surface:Powder Varnish Grey
Aluminum Oxide +
Varnish Black
3 Varnish on the inside not necessary
4 Packaging
Quantity 5 Pieces in a box
Δ OBSOLETE PARTS: OBSOLETE CIS STREAMLING
PER D.RENAU/D.SINIS



QTY	DESCRIPTION	MATERIAL	SURFACE	COLOR	TEMP	REMARKS	
1	28-Central clip	Stainless steel	-	-	13		
1	28-Central clip	Steel	Zinc plated	Blue	12		
1	18-Clip bolt	Stainless steel	Zinc plated	Blue	11		
2	18-Clip bolt	Steel	Zinc plated	Blue	10		
2	15-Clip clip	Stainless steel	-	-	9		
2	15-Clip clip	Steel	Zinc plated	Blue	8		
4	12-Clip bolt	Stainless steel	Zinc plated	Blue	7		
4	12-Clip bolt	Steel	Zinc plated	Blue	6		
1	10 ring P20	Neoprene	-	-	Blach	5	
1	Adaptor part P20	Brass	Nickel plated	-	4		
1	1 Adaptor P20	Brass	Nickel plated	-	3		
1	Hood HD-64-Pg.1-29	Aluminum	Aluminum oxide	Blach	2		
1	Hood HD-64-Pg.1-29	Aluminum	Grey	-	1		
1	1	1	1	1	1		

ORDERING TEXT
HD-64-575-1-29-G
HD-64-575-1-29-Z
HD-64-575-1-29-2
HD-64-575-1-29-3
HD-64-575-1-29-4
HD-64-575-1-29-5

TYCO ELECTRONICS
Hood
HD-64-575-1-29-G

00779 1113337