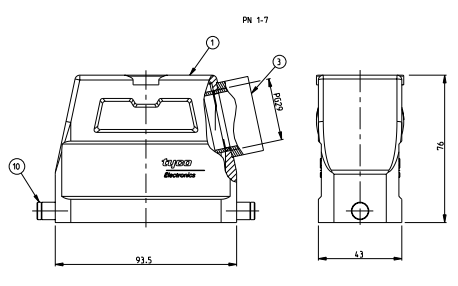
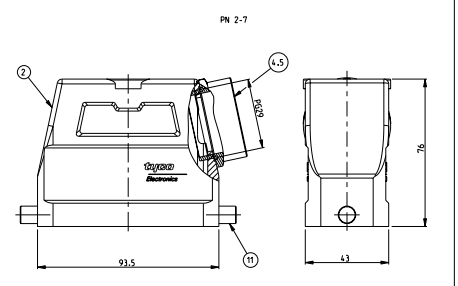
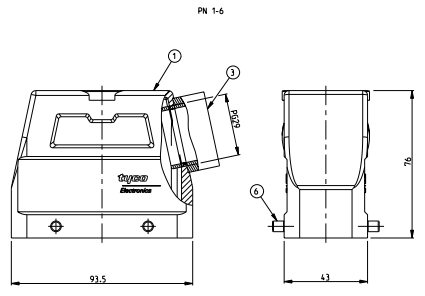
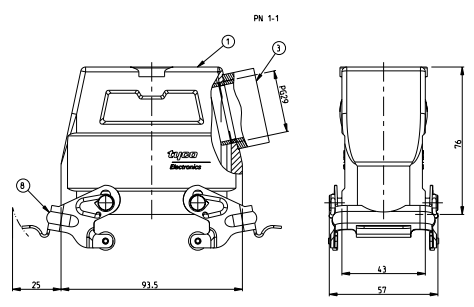
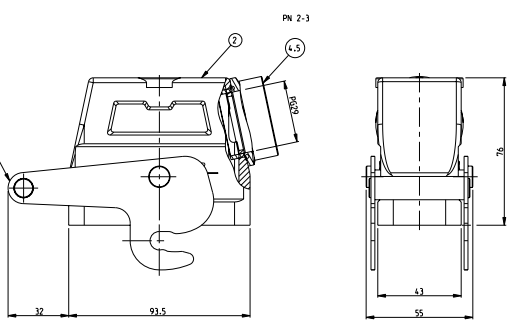
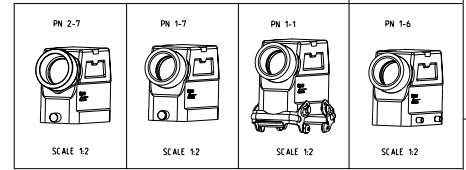
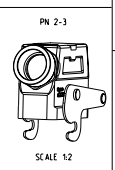


DATE REVISIONS TO IMPROVEMENTS RECEIVED FOR PUBLICATION
 BY THIS ELECTRONICS CORPORATION. ALL RIGHTS RESERVED

REV	DATE	DESCRIPTION	BY	CHK	APP
A5		Released as per ECR-07-010800	0-06-01	SK	TS
A6		REVISED PER ECR-09-027197	29DEC09	KK	AG



NOTES
 1 Material: Housing, aluminium diecasting alloy
 2 Surface: powder varnish-grey
 3 Varnish on the inside not necessarily
 4 Packaging quantity 5 pieces
 ⚠ OBSOLETE PARTS: OBSOLETE (IS STREAMLINING PER D.REMAUD/O.SINISI)



QTY	DESCRIPTION	MATERIAL	SURFACE	COLOR	ITEM NO	REMARKS	
1	RB-locking clip	V2A	-	-	13		
1	LB-locking clip	Steel	Zinc plated	Blue	12		
2	LB-clip bolt	Steel	Zinc plated	Blue	11		
2	VS-locking clip	Steel	Zinc plated	Blue	10		
2	VS-locking clip	Steel	Zinc plated	Blue	9		
2	VS-locking clip	Steel	Zinc plated	Blue	8		
4	VS-clip bolt	V2A	-	-	7		
1	L VS-clip bolt	Steel	Zinc plated	Blue	6		
1	O-Ring P229	Neoprene	-	Black	5		
1	O-Ring P229	Neoprene	-	Black	4		
1	1 Connecting piece round P229	Brass	Nickel plated	-	3		
1	1 Hood HDLO Pg1.29	Aluminium	Aluminium oxide	Black	2		
1	1 Hood HDLO Pg1.29	Aluminium	-	Grey	1		
2-3	1-3 2-7 1-7 2-1 1-1 2-6 1-6	DESCRIPTION	MATERIAL	SURFACE	COLOR	ITEM NO	REMARKS
		HD.40.S1s.1.29.Z					
		HD-R.40.S1s.1.29.Z					
		HD.40.S1s-VS.1.29.Z					
		HD-R.40.S1s-VS.1.29.Z					
		HD-R.40.S1s-GR.1.29.Z					
		HD-R.40.S1s-GR.1.29.Z					
		HD-R.40.S1s-2B.1.29.Z					
		HD-R.40.S1s-2B.1.29.Z					

DATE: 11.12.2007
 DRAWN BY: 02.06.08
 CHECKED BY: [Signature]
 APPROVED BY: [Signature]
 TITLE: HD 40 STS1.29.Z
 SCALE: 1:1
 SHEET: 11 OF 11
 CUSTOMER DRAWING: [Signature]