

THIS DRAWING IS UNPUBLISHED
VERTRÄULICHE UNVERÖFFENTLICHE ZEICHNUNG

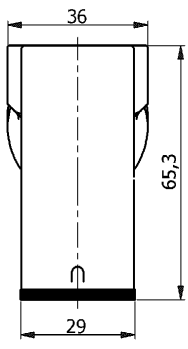
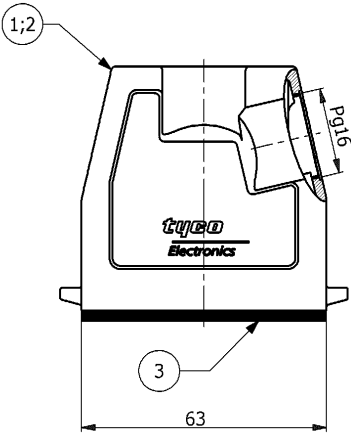
RELEASE FOR PUBLIKATION
FREI FÜR VERÖFFENTLICHUNG

COPYRIGHT 2000
BY AMP INCORPORATED

ALL RIGHTS RESERVED
ALLE RECHTE VORBEHALTEN

MATED WITH:
PASSEND ZU:
HD 15

LOC		DIST		REVISIONS ÄNDERUNGEN			
P	LTR	DESCRIPTION BESCHREIBUNG	DATE	DWN	APVD		
AI	-						
PROJECT NR. EGGMA05416		B1	RELEASED AS PER ECR-06-010558	5/2/2006	RS	ST	



NOTES

- 1 PACKAGING QUANTITY: 5 PIECES PER BOX
- 2 MATERIAL: HOUSING: ALUMINIUM DIE CAST ALLOY
SEALS: NEOPRENE
- 3 SURFACE: VARNISH GREY
ALUMINIUM OXIDE +
VARNISH BLACK
- 4 VARNISH ON THE INSIDE NOT NECESSARY

PN:1-7 & 2-7 as shown



PN:1-7
Ordering Text:
HD.15.STS.1.16.G

PN: 2-7
Ordering Text:
HD-K.15.STS.1.16.G

QTY	DESCRIPTION	MATERIAL	SURFACE	COLOR	ITEM	REMARKS
1	Profile seal	Neoprene	-	Black	3	-
1	Hood	Aluminium	Aluminium oxide	Black	2	-
-	Hood	Aluminium	-	Grey	1	-
2-7	1-7					

<small>THIS DRAWING IS A CONTROLLED DOCUMENT FOR AMP INCORPORATED. IT IS SUBJECT TO CHANGE AND THE USER SHOULD CONTACT THE ORGANIZATION SHOULD BE CONTACTED FOR THE LATEST REVISION. COPIES FROM THIS DOCUMENT ARE TO BE CONTROLLED. ANY CHANGES MUST BE APPROVED BY THE ORIGINAL DESIGN ENGINEER. THIS DRAWING IS NOT TO BE REPRODUCED OR TRANSMITTED IN ANY FORM OR BY ANY MEANS, ELECTRONIC OR MECHANICAL, INCLUDING PHOTOCOPYING, RECORDING, OR BY ANY INFORMATION STORAGE AND RETRIEVAL SYSTEM.</small>		DWN R.SRINIVAS 4/20/2006 CHK R.SRINIVAS 4/20/2006 APVD T.SCHNURPFEL 4/20/2006		NAME HOOD HD.15.STS.1.16.G	
DIMENSIONS: DIMENSIONEN: mm		TOLERANCES UNLESS OTHERWISE SPECIFIED: ALLGEMEINTOLERANZEN		PRODUCT SPEC: 108-74001;-74003	
		h: ISO 2875 H: ISO 2768 - M: DIN 9137		APPLICATION SPEC: 114-74004	
MATERIAL		FINISH / OBERFLÄCHE / FARBE		WEIGHT GEWICHT	
2		3		SIZE A3 CAGE CODE 00779 DRAWING NO. 1102427 DRAWING NO. 1102427	
CUSTOMER DRAWING / KUNDENZEICHNUNG				SCALE / MASSSTAB 1:1 SHEET / BLATT 1 OF 1 REV. B1	