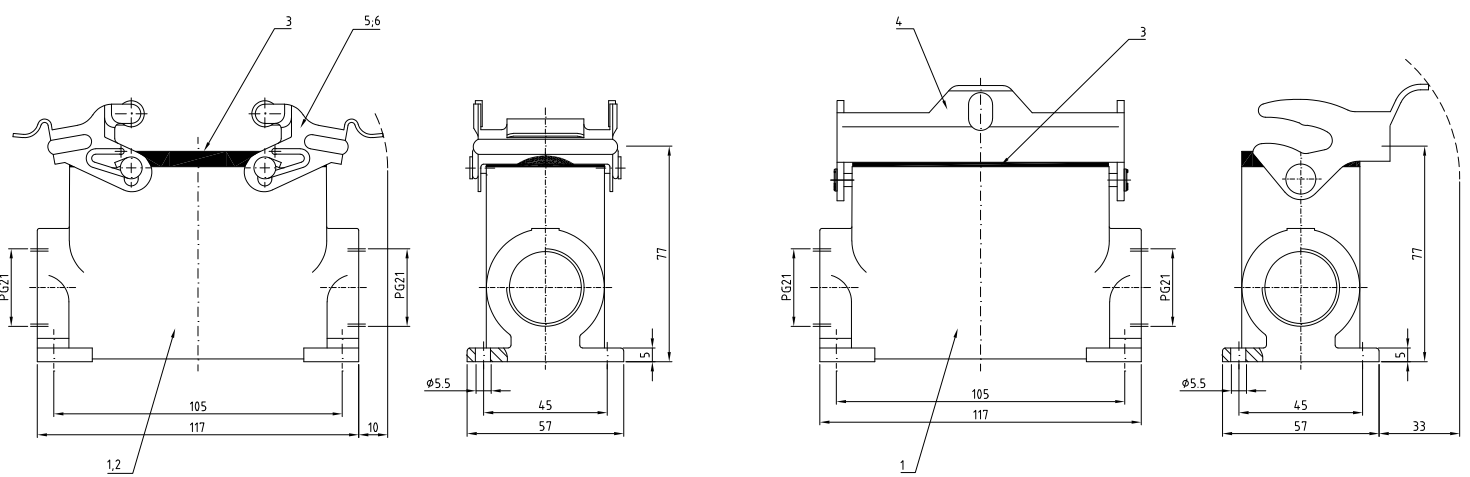


THIS DRAWING IS UNPUBLISHED.
 VERBODEN DE WERKSTUUKTE ZECHENING
 RELEASED FOR PUBLICATION
 FÜR DIE VERÖFFENTLICHUNG
 2000
 BY THE INCORPORATED
 ALLE RECHTE VERBEHALTEN
 BY THE INCORPORATED
 ALLE RECHTE VERBEHALTEN
 PAPER WITH
 PASTING ON
 Bq6

LOC	QST	REV	REVISIONS	DATE	BY	APP
AI	-	F	DESCRIPTION			
PROPERTY NO.	AZ	ECR-10-01493	BESCHREIBUNG	31.01.11	SR	AR



- Notes:
- ⚠ Material: Housing: aluminium diecasting alloy
Seals: Neoprene
 - ⚠ Surface: Varnish - grey
- aluminium oxid + varnish black
 - ⚠ Varnish on the inside not necessary
- Bemerkungen:
- ⚠ Material: Gehäuse: Alu-Druckguß-Legierung
Dichtung: Neoprene
 - ⚠ Oberfläche: Lackierung - grau
- Aluminium oxid + Lackierung schwarz
 - ⚠ Lackierung im Gehäuseinnere ist nicht notwendig

NO.	DESCRIPTION / BENENNUNG	MATERIAL	SURFACE / OBERFLÄCHE	COLOR / FARBE	QTY / POS.	REMARKS / BEMERKUNGEN
2	VS-Bügel/clip positioner	V2A/stainless steel	blank/even		6	
2	VS-Bügel/clip positioner	Stahl/steel	verzinkt/zink plated	blue/blau	5	
1	LB-Bügel/side clip	Stahl/steel	verzinkt/zink plated	blue/blau	4	
1	1 Profildichtung/seal	Neoprene		black/schwarz	3	
1	1 Sockelgehäuse HD-K/ surface mounted housing side entry	aluminium/ALU	Aluminiumoxid	black/schwarz	2	
1	1 Sockelgehäuse HD/ surface mounted housing side entry	aluminium/ALU		grey/grau	1	

HD-03-SG-LB-2.21Z	OBSCLETE	HD-K-03-SG-V6-2.21Z	HD-03-SG-VS-2.21Z	DRIVING TOOL / WERKZEUG	<p>THE DIMENSIONS GIVEN IN THIS DRAWING ARE UNLESS OTHERWISE SPECIFIED IN MILLIMETERS. DIMENSIONS IN PARENTHESES ARE FOR INFORMATION ONLY AND ARE NOT TO BE USED FOR MANUFACTURING PURPOSES. DIMENSIONS IN PARENTHESES ARE FOR INFORMATION ONLY AND ARE NOT TO BE USED FOR MANUFACTURING PURPOSES.</p> <p>TOLERANCES UNLESS OTHERWISE SPECIFIED: ALL DIMENSIONS: mm FRACTIONAL DIMENSIONS: mm ± 0.10 DECIMAL DIMENSIONS: mm ± 0.10 DECIMAL DIMENSIONS: mm ± 0.05 DECIMAL DIMENSIONS: mm ± 0.02</p> <p>ALL DIMENSIONS UNLESS OTHERWISE SPECIFIED: DIMENSIONS IN PARENTHESES ARE FOR INFORMATION ONLY AND ARE NOT TO BE USED FOR MANUFACTURING PURPOSES.</p> <p>ALL DIMENSIONS UNLESS OTHERWISE SPECIFIED: DIMENSIONS IN PARENTHESES ARE FOR INFORMATION ONLY AND ARE NOT TO BE USED FOR MANUFACTURING PURPOSES.</p>	<p>210883</p> <p>Schneider</p> <p>210883</p> <p>Schweiger</p> <p>NAME</p> <p>PRODUCT SPEC</p> <p>PRODUCT SPEC</p> <p>APPLICATION SPEC</p> <p>VERANWORTUNGSSPEZ.</p> <p>SIZE</p> <p>00779</p> <p>1102577</p> <p>CUSTOMER DRAWING / KUNDENZEICHNUNG</p>	<p>Tyco Electronics</p> <p>Tyco Electronics AMP GmbH</p> <p>53757 Sankt Augustin Germany</p> <p>Surface mounted housing side entry</p> <p>ASSY HD-03-SG-VS/LB-2.21Z</p> <p>RESTRICTED TO NUR FÜR</p>
-------------------	----------	---------------------	-------------------	-------------------------	---	---	--

1471-9 REV 27JAN96 This is a TRANSLATED file from Computerwettbewerb, INC. Release Revision 12.2.5T