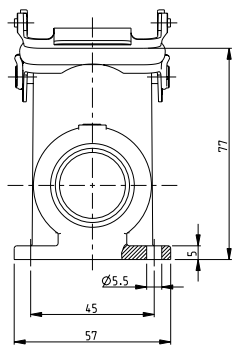
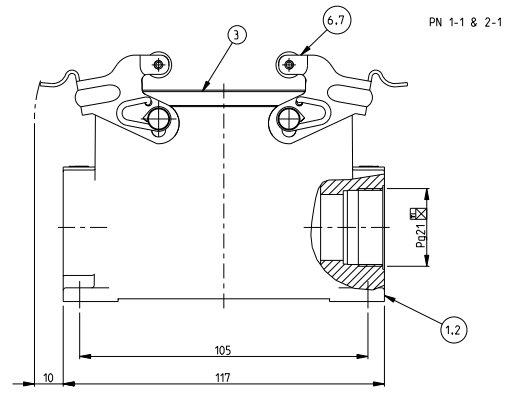
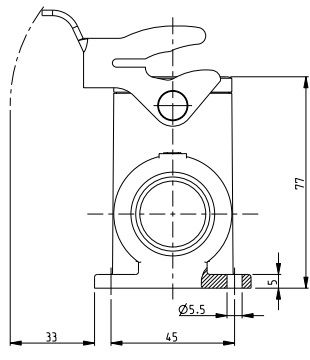
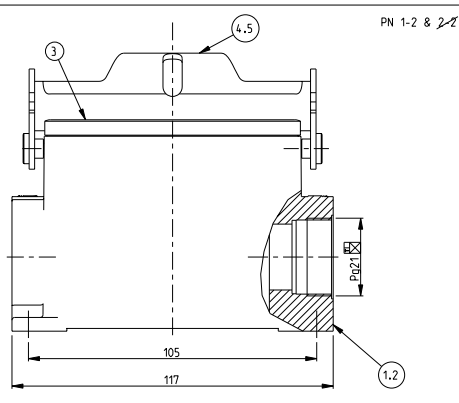
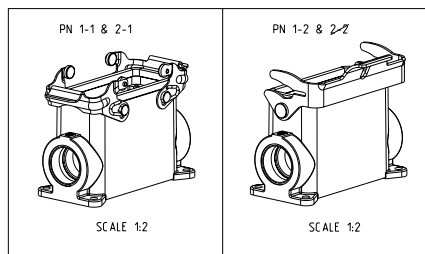


LOC		DIST		REVISIONS			
P	LYR	DESCRIPTION	DATE	DRW	APPR	SR	AR
A3		ECR-10-071493	31.01.11	SR			AR



- NOTES.
- Material:Housing:Aluminium Diecasting Alloy  
Seals:Neoprene
  - Surface:Varnish grey  
-Aluminium Oxide +Varnish Black
  - Varnish on the inside not necessary
  - Packaging  
Quantity 5 Pieces in a box



QTY	DESCRIPTION	MATERIAL	SURFACE	COLOR	ITEM NO	REMARKS
2	VS-Clip positioner	Stainless steel	Blank	Blue	7	
2	VS-Clip positioner	Steel	Zinc plated	Blue	6	
1	LB-Side clip	Stainless steel	Blank	Blue	5	
1	LB-Side clip	Steel	Zinc plated	Blue	4	
1	Profile seal	Neoprene		Black	3	
1	Surface mounted housing side entry HD-K	Aluminium	Aluminium oxide	Black	2	
1	Surface mounted housing side entry HD	Aluminium		Grey	1	

ORDERING TEXT  
 HD.40.SG-VS.1.21.Z  
 HD-K.40.SG-VS.1.21.Z  
 HD.40.SG-LB.1.21.Z  
 HD-K.40.SG-LB.1.21.Z

TO: SCHNEIDER ELECTRIC

DATE: 21.08.03

BY: Schneider

NAME: Tyco Electronics

ADDRESS: Tyco Electronics AMP GmbH, D-53819, Neunkirchen, Germany

PRODUCT SPEC: Surface mounted housing side entry HD.40.SG-VS/LB.1.21.Z

APPLICATION SPEC: A2

WEIGHT: 1102575

CUSTOMER DRAWING

SCALE: 1:1

SHEET: 1 of 1

REV: A3