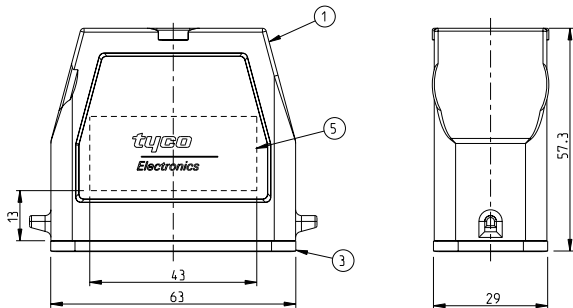


THIS DRAWING IS UNPUBLISHED. RELEASED FOR PUBLICATION 2000
 © COPYRIGHT 2000 BY TYCO ELECTRONICS CORPORATION. ALL RIGHTS RESERVED.

LOC	DIST	REVISIONS				
P	LTR	DESCRIPTION	DATE	DWN	APVD	
B2		RELEASED AS PER ECR-09-005170	05.MAR.2009	GG	TS	

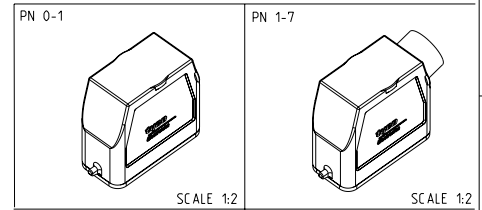
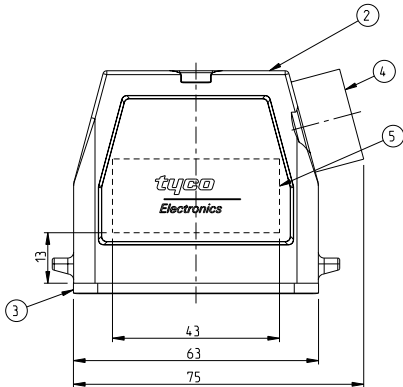
PN 0-1



NOTES

- 1 PACKAGING
PACKAGING QUANTITY:5 PIECES PER BOX
- 2 MATERIAL:HOUSING ALUMINIUM DIECASTING ALLOY
- 3 SURFACE:VARNISH-GREY
- 4 VARNISH ON THE INSIDE NOT NECESSARY

PN 1-7



QTY	DESCRIPTION	MATERIAL	SURFACE	COLOR	ITEM NO	REMARKS
2	INSULATING TAPE	COROPLAST TYP 303	-	GREY	5	PVC-SOFT
1	ADAPTOR ROUND	BRASS	NICKEL PLATED	BLUE	4	PG16
1	PROFILE SEAL	NEOPRENE	-	BLACK	3	
1	HA.HOOD	ALUMINIUM	-	GREY	2	
1	HA.HOOD	ALUMINIUM	-	GREY	1	WITHOUT PG

THIS DRAWING IS A CONTROLLED DOCUMENT FOR TYCO ELECTRONICS CORPORATION
 IT IS SUBJECT TO CHANGE AND THE CONTROLLING ENGINEERING ORGANIZATION
 SHOULD BE CONTACTED FOR THE LATEST REVISION.

DIMENSIONS: mm	TOLERANCES UNLESS OTHERWISE SPECIFIED: mm
	0 PLC ±
	1 PLC ±
	2 PLC ±
	3 PLC ±
	4 PLC ±
	ANGLES
MATERIAL	FINISH

DOWN S.KUMAR CHK R.SRINIVAS APVD T.SCHNURPFIL	2724/2006 2724/2006 2724/2006		Tyco Electronics, AMP.GmbH 53757 Sankt Augustin, Germany
PRODUCT SPEC 108-74009	APPLICATION SPEC 114-74001	NAME HOOD HA.10.STS.1.16.Z	RESTRICTED TO
WEIGHT -	SIZE A3	CAGE CODE 00779	DRAWING NO C=1102116
CUSTOMER DRAWING	SCALE 1:1	SHEET 1 of 1	REV B2

AMP 1470-19 REV 31MAR2000

Pro/ENGINEER DRAWING