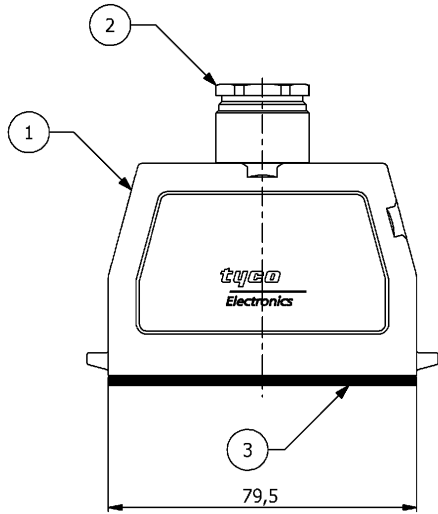


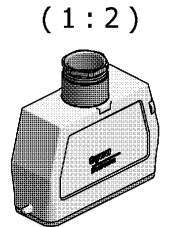
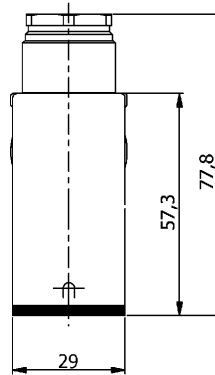
| | | | | | | | | | | | | | | | | | | | |
|--|--|--|--|--|--|------------------------------|--|---------------------------|--|------|--|-----------------------------|--|----------------------|--|-----------|--|-------|--|
| THIS DRAWING IS UNPUBLISHED VERTRÄULICHE UNVERÖFFENTLICHE ZEICHNUNG | | RELEASE FOR PUBLIKATION FREI FÜR VERÖFFENTLICHUNG | | J.2000 | | MATCHED WITH: PASSEND ZU: | | LOC | | DIST | | REVISIONS ÄNDERUNGEN | | | | | | | |
| COPYRIGHT 2000 | | BY AMP INCORPORATED | | ALL RIGHTS RESERVED ALLE RECHTE VORBEHALTEN | | HA.16 | | AI | | - | | DESCRIPTION BESCHREIBUNG | | DATE | | DWN | | APVD | |
| | | | | | | | | PROJEKT NR. EGGMA08416 | | P | | LTR | | AS PER ECR-06-006735 | | 3/20/2006 | | PB ST | |

NOTES

- 1 PACKAGING QUANTITY: 5 PIECES PER BOX
- 2 MATERIAL: HOUSING: ALUMINIUM DIECASTING ALLOY
- 3 FINISH: POWDER COATED OR CORROSION PROTECTION



PN 0-1 & 1-7 as shown



PN 0-1 & 1-7

| 1 | 1 | Profile Seal | Neoprene | - | Black | 3 | - |
|---|---|---------------------|-----------|---------------|-------|---|------|
| 1 | 1 | Cable Fitting Round | Brass | Nickel Plated | Blue | 2 | Pg16 |
| 1 | 1 | Hood HA.16 | Aluminium | - | Grey | 1 | - |

| 0-1 | 1-7 | DESCRIPTION | MATERIAL | SURFACE | COLOR | ITEM | REMARKS |
|----------------|-----|-------------|----------|---------|-------|------|---------|
| ORDERING TEXT | | | | | | | |
| HA.16.STO.1.16 | | | | | | | |

HA.16.STO.1.16.AIS

| | | | | | | | | | | | |
|---|--|-----------------------------------|--|--|--|---|--|--|--|--|--|
| THIS DRAWING IS A CONTROLLED DOCUMENT FOR AMP INCORPORATED. THIS SUBJECT TO CHANGE AND THE CONTROLLING ENGINEERING ORGANIZATION SHOULD BE NOTIFIED FOR THE LATEST REVISION. ANSICHTEN IN DIESEN ZEICHNUNGEN SIND NUR FÜR DEN VERFAHRER BESTIMMT. DER JEWELIGE LEISTUNGS- UND KUNDENANFORDERUNGEN SIND ZU BEACHTEN. DER JEWELIGE LEISTUNGS- UND KUNDENANFORDERUNGEN SIND ZU BEACHTEN. | | DIMENSIONS: DIMENSIONEN: mm | | TOLERANCES UNLESS OTHERWISE SPECIFIED: ALLGEMEINE TOLERANZEN | | TYPICAL SPECIFICATIONS: TYPISCHE ANGABEN: P. ISO 2768 - M R. DIN 16981 - 140 | | MATERIAL | | FINISH / OBERFLÄCHE / FARBE | |
| | | | | | | | | | | | |
| DWN P.BENNINGER 2/24/2006 | | CHK R.SRINIVAS 2/24/2006 | | APVD T.SCHNURPFEL 2/24/2006 | | NAME tyco Electronics | | Tyco / Electronics AMP GmbH D - 53819 Neunkirchen | | PRODUCT SPEC. PRODUKTSPEZ. 108-74009 | |
| ABR. FEATURE SPEC. VERARBEITUNGSSPEZ. 114-74001 | | SIZE A3 | | CASE CODE 00779 | | DRAWING NO. 1102137 | | RESTRICTED TO NUR FÜR | | CUSTOMER DRAWING / KUNDENZEICHNUNG | |
| SCALE MASSSTAB 1:1 | | SHEET BLATT 1 | | OF VON 1 | | REV. C1 | | | | | |