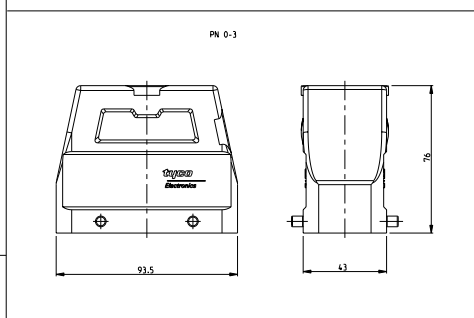
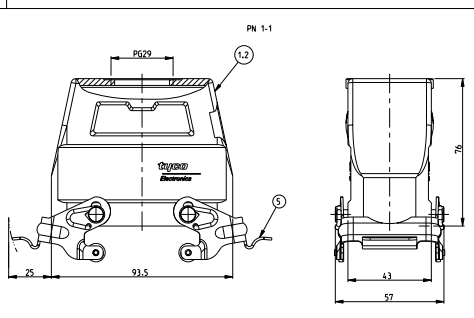
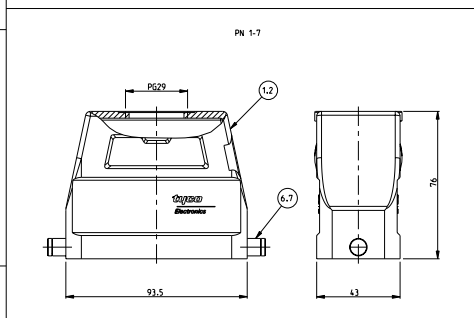
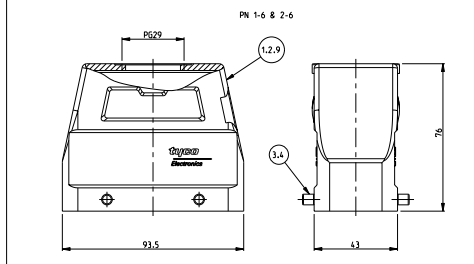
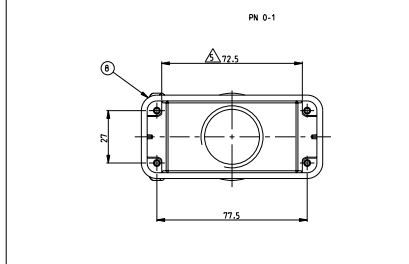
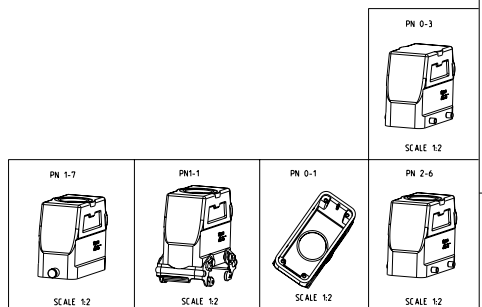


DATE: 08/01/2016  
 REVISIONS: 1  
 BY: T. L. W.  
 CHECKED BY: A. G.  
 APPROVED BY: [Signature]



REV	DATE	DESCRIPTION	BY	CHK	APP
1	08-01-2016	Released as per ECR-07-012890	T. L. W.	A. G.	[Signature]

- NOTES
- 1 Material: Housing: aluminium diecasting alloy
  - 2 Surface: Powder varnish-grey  
Varnish black
  - 3 Varnish on the inside not necessarily
  - 4 Packaging quantity: 5 pieces
- △ Valid only for PN 0-1  
 Landing of measure 72.5 (20mm Deep) milled off : bothsides



QTY	DESCRIPTION	MATERIAL	SURFACE	COLOR	ITEM NO.	NOTES
1	HD-K Hood	Aluminium	Aluminium oxide	Black	9	With out PG-thread
1	HD-K Hood	Aluminium	Aluminium oxide	Black	8	Landing milled off △
2	LB-Clip bolt	Stainless Steel	Even	-	7	-
2	VS-Locking clip	Steel	Zinc plated	Blue	6	-
4	VS-Clip bolt	Stainless Steel	Even	-	4	-
4	VS-Clip bolt	Steel	Zinc plated	Blue	3	-
1	HD-K Hood	Aluminium	Aluminium oxide	Black	2	-
1	HD Hood	Aluminium	-	Grey	1	-

QTY	DESCRIPTION	MATERIAL	SURFACE	COLOR	ITEM NO.	NOTES
1	HD-K Hood	Aluminium	Aluminium oxide	Black	9	With out PG-thread
1	HD-K Hood	Aluminium	Aluminium oxide	Black	8	Landing milled off △
2	LB-Clip bolt	Stainless Steel	Even	-	7	-
2	VS-Locking clip	Steel	Zinc plated	Blue	6	-
4	VS-Clip bolt	Stainless Steel	Even	-	4	-
4	VS-Clip bolt	Steel	Zinc plated	Blue	3	-
1	HD-K Hood	Aluminium	Aluminium oxide	Black	2	-
1	HD Hood	Aluminium	-	Grey	1	-