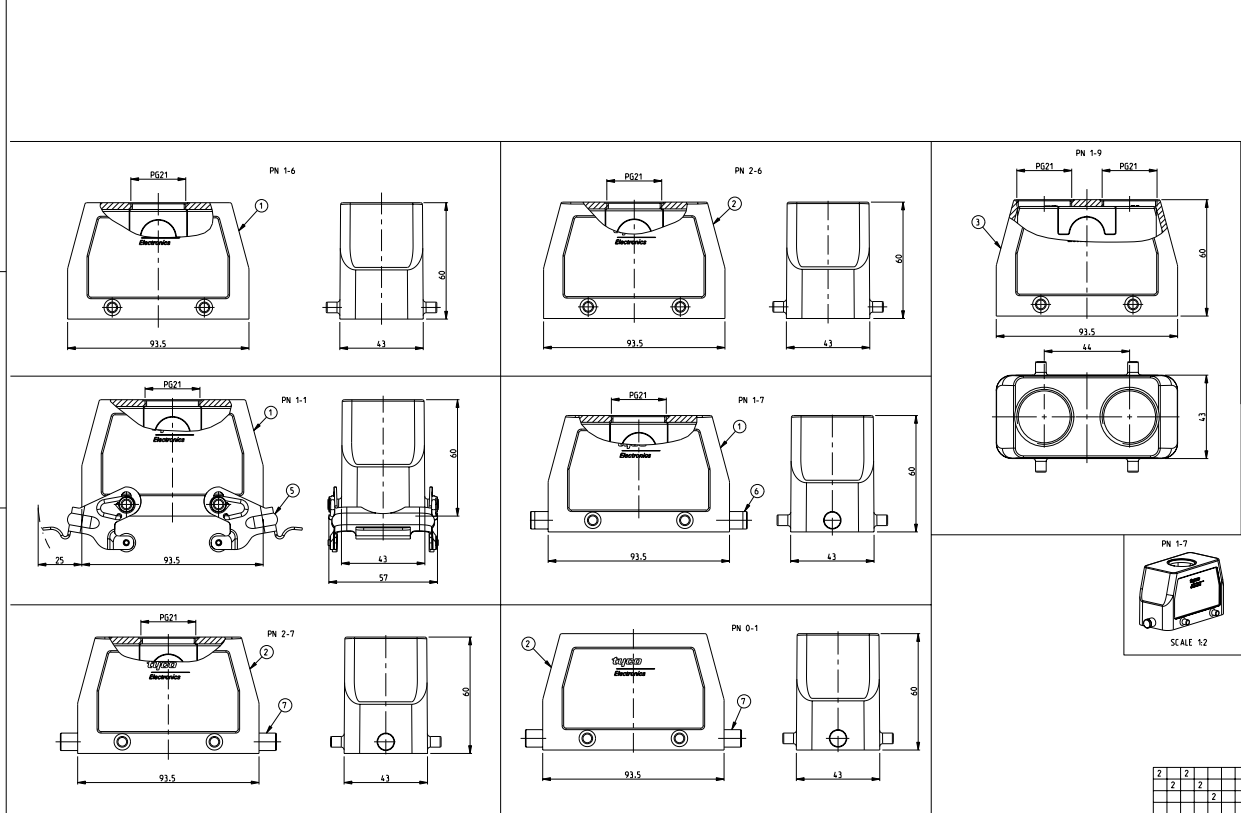
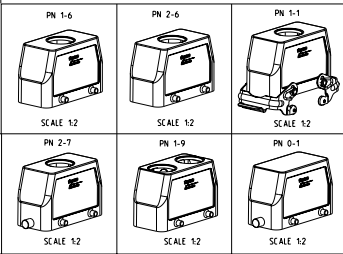


REV		DESCRIPTION	DATE	BY
1	01	Released as per EC8-08-01918	12 May 2008	SP



- NOTES
- 1 Material: Housing: aluminium diecasting alloy
  - 2 Surface: Varnish grey  
Aluminium oxide+Varnish Black
  - 3 Varnish on the inside not necessary
  - 4 Packaging  
Packaging quantity 5 piece in a box



QTY	DESCRIPTION	MATERIAL	SURFACE	COLOR	TERM	NOTES
2	LB-clip bot	Stainless steel	Blank		7	
2	LB-clip bot	Steel	Zinc plated	Blue	6	
2	VS-locking clip	Steel	Zinc plated	Blue	5	
1	VS-clip posttop	Stainless steel	Blank		4	
1	HB Hood	Aluminium	Aluminium oxide	Grey	3	2xPg21
1	HB-K Hood	Aluminium	Aluminium oxide	Black	2	
1	HB Hood	Aluminium		Grey	1	

QTY	DESCRIPTION	MATERIAL	SURFACE	COLOR	TERM	NOTES
1	HB-K Hood	Aluminium	Aluminium oxide	Black	2	
1	HB Hood	Aluminium		Grey	1	
1	HB Hood	Aluminium		Grey	1	
1	HB Hood	Aluminium		Grey	1	
1	HB Hood	Aluminium		Grey	1	
1	HB Hood	Aluminium		Grey	1	
1	HB Hood	Aluminium		Grey	1	
1	HB Hood	Aluminium		Grey	1	

DATE: 08.11.2008	DRAWING NO: 00779	REV: 01	BY: T. K.	CHECKED: M. B.	APPROVED: M. B.
SCALE: 1:2	SHEET: 1	TOTAL SHEETS: 1	CUSTOMER DRAWING		