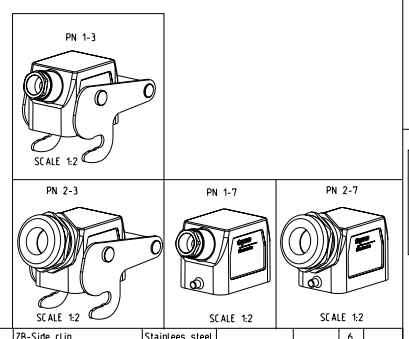


REVISED PER		DESCRIPTION	DATE	BY	APP'D
B4		Released as per ECR-08-005944	06.Mar.2008	SP	TS
B5		REVISED PER ECO-09-027197	14DEC2009	KK	AEQ

- Notes
- 1 Material: Housing: Aluminium diecasting alloy
 - 2 Surface: Varnish-grey
-Aluminium oxide-
Varnish black
 - 3 Varnish on the inside not necessary
 - 4 Packaging
Packaging quantity: 5 pieces in a box
- ⚠️ OBSOLETE PARTS: OBSOLETE C IS STREAMLINING PER D.RENAUD/D.SINISI



OBSOLETE

QTY	DESCRIPTION	MATERIAL	SURFACE	COLOR	ITEM NO.	NOTES
1	ZB-Side clip	Stainless steel			6	
1	ZB-Side clip	Steel	Zinc plated	Blue	5	
1	Mat-Cable connection PG16	Brass	Nickel plated		4	
1	PG-Gland fitting Pg21	Brass	Nickel plated		3	
1	Hood HB6.Sts	Aluminium	Aluminium oxide	Black	2	
1	Hood HB6.Sts	Aluminium	-	Grey	1	
2-3	1-3 2-7 1-7	DESCRIPTION	MATERIAL	SURFACE	COLOR	ITEM NO.
ORDERING TEXT						
HB-6.Sts-1.16						
HB-K-6.Sts-1.16						
HB-Z-6.Sts-ZB-1.16						
HB-K/2-6.Sts-ZB-1.16						

DIMENSIONS:		DATE: 23.07.1997		DRAWN BY: Schneider		APP'D: Schneider		DATE: 23.07.1997		NAME: Tyco Electronics		Tyco Electronics Corporation D-51819,Neunkirchen,Germany	
mm		TO: GRANGE, GUYER		PRODUCT SPEC: 108/74001/74003		APPLICATION SPEC: 116-74001/74004/74005		WEIGHT: A2		CASE CODE: 00779		DRAWING NO: 1102238	
MATERIAL:		FINISH:		CUSTOMER DRAWING		SCALE: 1:1		SHEET: 1 OF 1		REV: B5		RESTRICTED TO:	