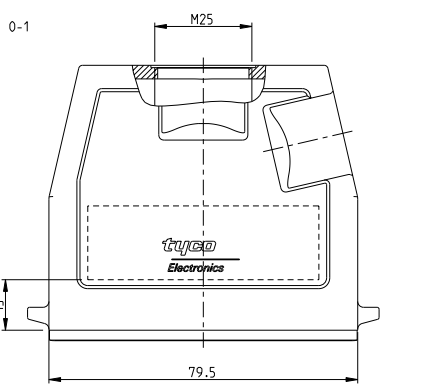
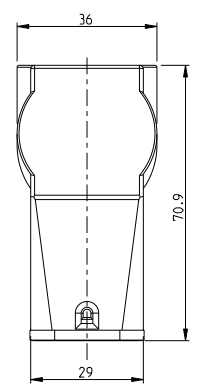
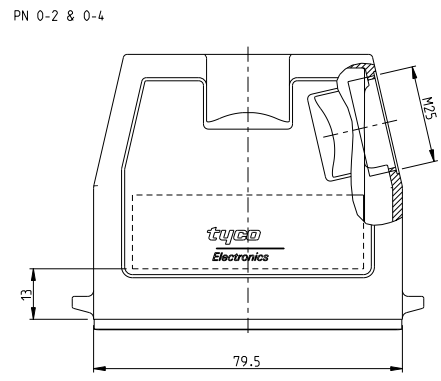
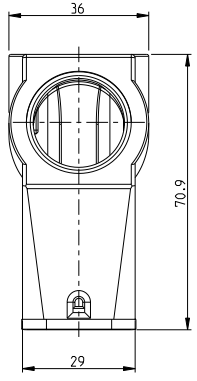
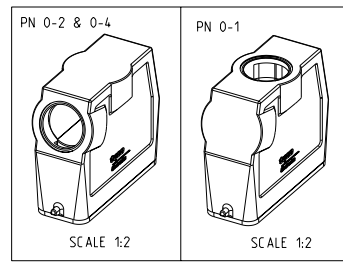


THIS DRAWING IS UNPUBLISHED. RELEASED FOR PUBLICATION 2000
 © COPYRIGHT 2000 BY TYCO ELECTRONICS CORPORATION. ALL RIGHTS RESERVED.

LOC	DIST	REVISIONS			
P	LTR	DESCRIPTION	DATE	DWN	APVD
C	1	ECR-10-008207	22APR2010	VG	GW



- NOTES
- 1 PACKAGING QUANTITY: 5 PIECES IN A BOX
 - 2 MATERIAL: HOUSING : ALUMINIUM DIE CAST ALLOY
SEALS NEOPRENE
 - 3 SURFACE VARNISH GREY
ALUMINIUM OXIDE + VARNISH BLACK
 - 4 VARNISH ON THE INSIDE NOT NECESSARY



QTY	DESCRIPTION	MATERIAL	SURFACE	COLOR	ITEM NO	REMARKS
1	CONNECTOR HOUSING	ALUMINIUM	ALUMINIUM OXID	BLACK	4	WITHOUT LOGO
1	PROFILE SEAL	NEOPRENE		BLACK	3	
-	CONNECTOR HOUSING -HD-K	ALUMINIUM	ALUMINIUM OXID	BLACK	2	
-	CONNECTOR HOUSING -HD	ALUMINIUM		GREY	1	

DIMENSIONS: mm		TOLERANCES UNLESS OTHERWISE SPECIFIED: 0 PLC ± 1 PLC ± 2 PLC ± 3 PLC ± 4 PLC ± ANGLES ±		DWN S.KUMAR 4/27/2006 CHK P.BENNUR 4/27/2006 APVD T.SCHNURPFEL 4/27/2006 NAME PRODUCT SPEC 108-74009 APPLICATION SPEC 114-74001 WEIGHT - CUSTOMER DRAWING		Tyco Electronics Tyco Electronics.AMP.GmbH 53757.SanktAugustin.Germany CONNECTOR HOUSING HD.25.STO/STS.1.M25.G SIZE CAGE CODE DRAWING NO RESTRICTED TO A3 00779 C=1106442 - SCALE 1:1 SHEET 1 OF 1 REV C1	
-------------------	--	---	--	--	--	--	--