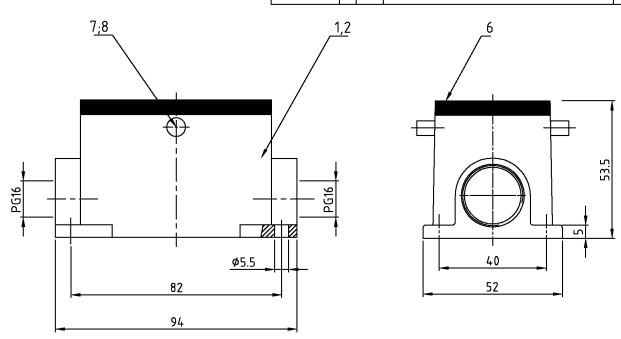
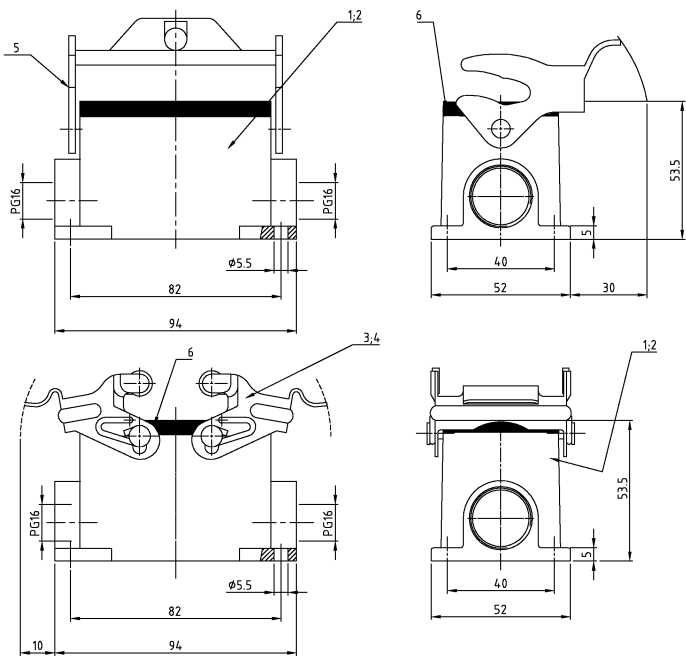


THIS DRAWING IS UNPUBLISHED  
 VERBODEN DE WERKSTOFFTECHNISCHE REKENING  
 RELEASÉ FOR PUBLICATION  
 FREI FÜR VERÖFFENTLICHUNG  
 -1997  
 HAYES WITH  
 PARSING 21  
 HB.10

REV. NO.		DATE		BY		APPROVED	
AI	-						
DESCRIPTION	DESCRIPTION	DATE	DATE	BY	BY	APPROVED	APPROVED
AI	neu gezeichnet, EGG-3489-99	04.03.99		SR		SH	



Notes,  
 ⚠ Material: Housing: aluminium diecasting alloy  
 Seals: Neoprene  
 ⚠ Surface: Varnish- grey  
 - aluminium oxid + Varnish black

Bemerkungen,  
 ⚠ Material: Gehäuse: Alu-Druckguß-Legierung  
 Dichtung: Neoprene  
 ⚠ Oberfläche: Lackierung - grau  
 - Aluminium-oxid-Schicht + Lackierung schwarz

QTY	DESCRIPTION / BEZEICHNUNG	MATERIAL	SURFACE/OBERFLÄCHE	COLOR/FARBE	PER NO. / POS.	REMARKS / BEMERKUNGEN
2	-	-	-	-	8	
-	2	-	-	blau	7	
1	1	1	1	black/schwarz	6	
-	1	-	-	blau	5	
-	1	-	2	-	4	
-	1	-	2	blau	3	
1	1	1	1	black/schwarz	2	
-	1	1	1	grey/grau	1	
2-8	1-8	1-2	1-1			

HB-K/Z.10.SG-ZVGR.2.16.Z	HB-Z.10.SG-ZVGR.2.16.Z	HB.10.SG-LB.Z.16.Z	HB.K.10.SG-VS.Z.16.Z	HB.10.SG-VS.Z.16.Z
DIMENSIONS: DIMENSIONEN: mm TOLERANCES UNLESS OTHERWISE SPECIFIED: ALL DIMENSIONS N. DEC. 0.15 H. DEC. 0.15 P. DEC. 0.15 F. DEC. 0.15 R. DEC. 0.15 S. DEC. 0.15 T. DEC. 0.15 U. DEC. 0.15 V. DEC. 0.15 W. DEC. 0.15 X. DEC. 0.15 Y. DEC. 0.15 Z. DEC. 0.15				
MATERIAL: ALUMINIUM SURFACE/OBERFLÄCHE: VERZINKT COLOR/FARBE: BLAU				

DATE: 04.03.99	BY: SR	APPROVED: SH
NAME: HTS Elektrotechnik	ADDRESS: 53819 Neunkirchen, Germany	PHONE: 06221 22716
PRODUCT SPEC: HOOD HB.10.PG.2.16 Z	PRODUCT SPEC: SOCKELGEHÄUSE HB.10.PG.2.16 Z	APPLICATION SPEC: VERBODEN DE WERKSTOFFTECHNISCHE REKENING
SIZE: A2	CARE CODE: 00779	DRAWING NO.: 11022716
CUSTOMER DRAWING	/KUNDENZEICHNUNG	REVISION: 1

AMP 1471-9 REV 27 JAN 96 This is a TRANSLATED file from Computer Aided Design, Inc. Revision 12.2.97