

4

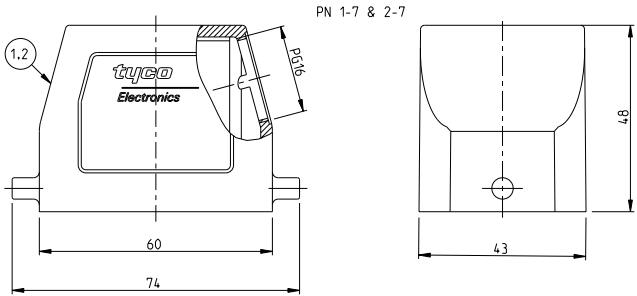
3

2

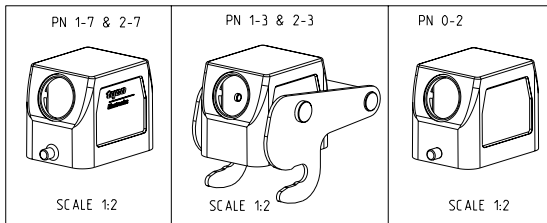
1

THIS DRAWING IS UNPUBLISHED. RELEASED FOR PUBLICATION  
COPYRIGHT 1997 BY TYCO ELECTRONICS CORPORATION. ALL RIGHTS RESERVED. 1997

LOC	DIST	REVISIONS				
P	LTR	DESCRIPTION	DATE	DWN	APVD	
A6		Released as per ECR-08-005944	06.Mar.2008	SP	TS	



- Notes
- 1 Material: Housing: Aluminium diecasting alloy
  - 2 Surface:- Varnish-grey/White  
-Aluminium oxide-Varnish black
  - 3 Varnish on the inside not necessary
  - 4 Packaging  
Packaging quantity: 5 pieces in a box



D

D

C

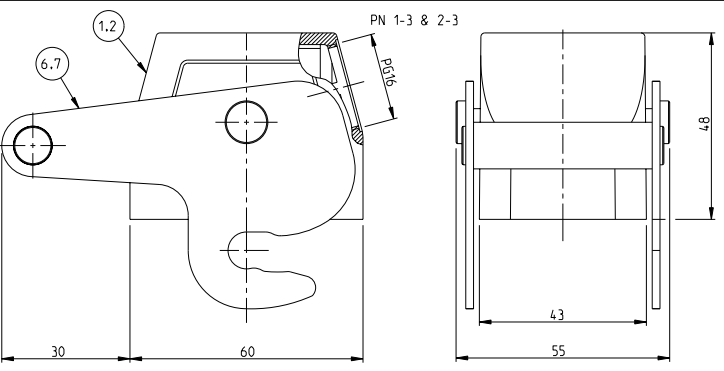
C

B

B

A

A

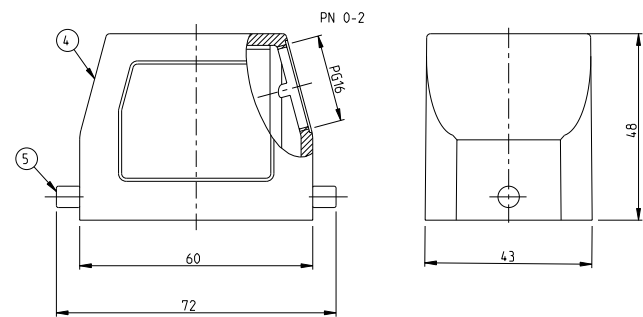


OBsolete

QTY	DESCRIPTION	MATERIAL	SURFACE	COLOR	ITEM NO	NOTES
1	Central clip-ZB	Stainlees steel	Blank	-	7	
1	Central clip-ZB	Steel	Zinc plated	Blue	6	
2	LB-Clip bolt	Stainlees steel	Blank	-	5	
1	Hood HB	Aluminium	-	White	4	Without bolt
1	Hood HB	Aluminium	-	Grey	3	Also 2xM3 for identification plate
1	Hood HB-K	Aluminium	Aluminium oxide	Black	2	
1	Hood HB	Aluminium	-	Grey	1	

ORDERING TEXT

HB.6.STS.1.16.G  
 HB-K.6.STS.1.16.G  
 HB-Z.6.STS-ZB.1.16.G  
 HB-K/Z.6.STS-ZB.1.16.G  
 HB-6.STS-1.16-G-S0  
 HB.6.STS.1.16.G



THIS DRAWING IS A CONTROLLED DOCUMENT FOR TYCO ELECTRONICS CORPORATION  
IT IS SUBJECT TO CHANGE AND THE CONTROLLING ENGINEERING ORGANIZATION  
SHOULD BE CONTACTED FOR THE LATEST REVISION.

DIMENSIONS:	TOLERANCES UNLESS OTHERWISE SPECIFIED:	DATE	25.05.1999
mm	0 PLC ±	CHK	Schneider
	1 PLC ±	APVD	Schweiger
	2 PLC ±	NAME	Tyco Electronics
	3 PLC ±	PRODUCT SPEC	Tyco Electronics.AMP.GmbH
	4 PLC ±	APPLICATION SPEC	D-53819,Neunkirchen,Germany
ANGLES	FINISH	SIZE	A3
		CAGE CODE	00779
		DRAWING NO	1102240
MATERIAL		RESTRICTED TO	
		CUSTOMER DRAWING	

NAME: Hood  
HB.6.STS.1.16.G

SCALE: 1:1 SHEET 1 OF 1 REV A6

AMP 1470-19 REV 31MAR2000

Pro:ENGINEER DRAWING