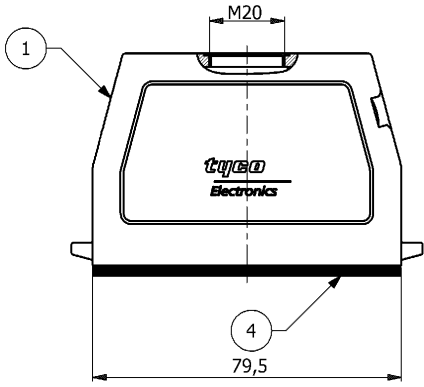
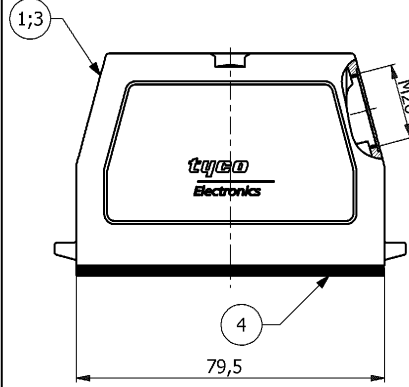


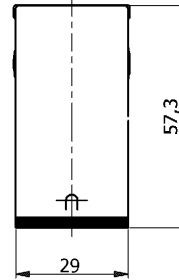
THIS DRAWING IS UNPUBLISHED VERTRÄULICHE UNVERÖFFENTLICHE ZEICHNUNG		RELEASE FOR PUBLIKATION FREI FÜR VERÖFFENTLICHUNG		J2000		MATCHED WITH: PASSEND ZU:		LOC		DIST		REVISIONS ÄNDERUNGEN							
COPYRIGHT 2000		BY AMP INCORPORATED		ALL RIGHTS RESERVED ALLE RECHTE VORRESERVIEREN		BGS		AI		-		DESCRIPTION BESCHREIBUNG		DATE		DWN		APVD	
								P		LTR		AS PER ECR-07-012982		5/28/2007		PB		ST	



PN 0-1 & 0-6 as shown

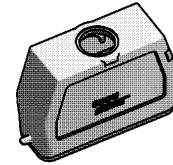


PN 0-2, 0-4 & 0-7 as shown

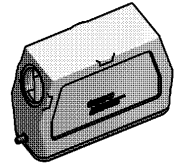


NOTES

- 1 PACKAGING QUANTITY: 5 PIECES PER BOX
- 2 MATERIAL: SEE TABLE
- 3 SURFACE: -GREY
- VARNISH BLACK
- 4 VARNISH ON THE INSIDE NOT NECESSARY



PN 0-1 & 0-6



PN 0-2, 0-4 & 0-7

1	1	1	1	1	1	Profile Seal	Neoprene	-	Black	4	-
-	-	1	-	-	-	HA Hood	Aluminium	HC	Black	3	-
-	-	-	-	-	-	HA Hood	Aluminium	-	Black	2	-
1	1	-	-	1	1	HA Hood	Aluminium	-	Grey	1	-
0-7 0-6 0-5 0-4 0-2 0-1											
DESCRIPTION MATERIAL SURFACE COLOR ITEM NO. REMARKS											
ORDERING TEXT											
HA.16.STO.1.M20.G											
HA.16.STS.1.M20.G											
HA-K.16.STS.1.M20.G											
HA.16.STS.1.M20.G											
HA.16.STO.1.M20.G.KM											
HA.16.STS.1.M20.G.KM											

DIMENSIONS: DIMENSIONEN: mm		TOLERANCES UNLESS OTHERWISE SPECIFIED: ALLGEMEINE TOLERANZEN		DWN 2/24/2006 P.BENNUR		NAME HOOD HA.16.STS/STO.1.M20.G		Tyco / Electronics AMP GmbH D - 53819 Neunkirchen	
		ISO 2768 - M H K P: ISO 2768 - M H K R: DIN 16981		CHK 2/24/2006 R.SRINIVAS		APVD 2/24/2006 T.SCHNURPFEL		SIZE A3	
MATERIAL		FINISH / OBERFLÄCHE / FARBE		PRODUCT SPEC. 108-74009		CASE CODE 00779		DRAWING NO. 1106439	
				APP. REF. / VERARBEITUNGSSPEZ. 114-74001		RESTRICTED TO NUR FÜR		SCALE / MASSSTAB 1:1 SHEET / BLATT 1 OF 1 REV. C1	
CUSTOMER DRAWING / KUNDENZEICHNUNG									