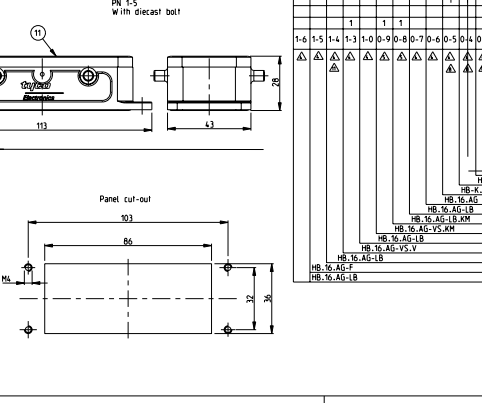
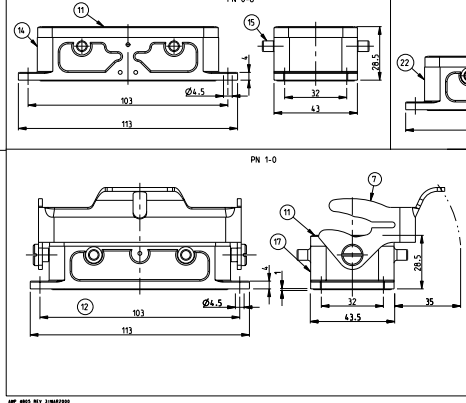
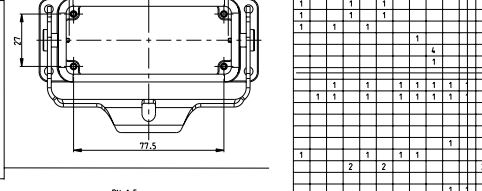
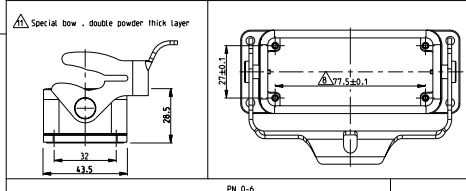
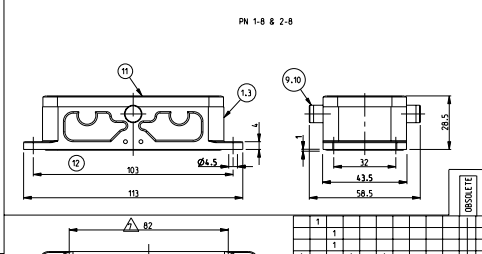
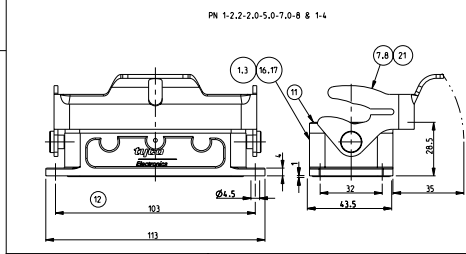
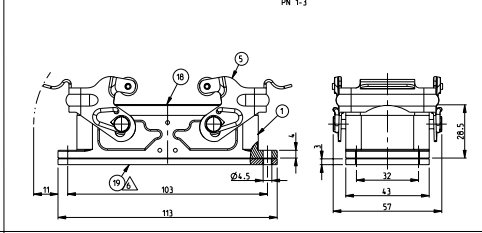
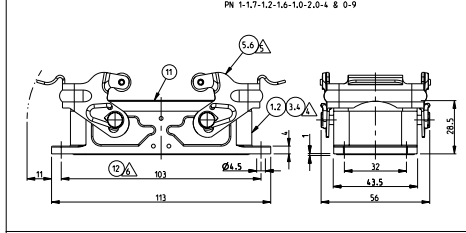


8 7 6 5 4 3 2 1

REVISIONS

NO.	DATE	DESCRIPTION	BY	CHK	APP
B7	14 Aug 2008	Released as per ECR-08-02024	SP	TS	
B8	ECR - 007736		ZP/PP/00	EW	ST



NOTES

- Material: Housing aluminium diecasting alloy
Seals: Neoprene - Viton
- Surface: Varnish Grey; Black
- Varnish on the inside not necessary
- Packaging quantity 5 pieces
- Packaging quantity 100 pieces
- Packaging quantity 150 pieces
- Only valid for PN 0-1 coding device based on dimension 82
- Only valid for PN 0-4 and 0-5 Flat form based on dimension 72.5-0.1 both sides
- Only valid for PN 0-2 Seal loose attached
- Only valid for PN 0-3 Flange seal closed on
- Special size clip for Mitsubishi powder coating for housing: 120-160 µm

QTY	DESCRIPTION	MATERIAL	SURFACE	COLOR	ITEM NO	NOTES
1	Surface mounted housing bottom entry HB	Aluminium		Grey RAL7001	23	With bolt
1	LB-Side clip	Steel	Zinc plated	Blue	21	
1	Surface mounted housing bottom entry HB	Aluminium		Grey 120-160 µm	20	
1	Flange seal	Viton		Black	19	
1	Profile seal	Viton		Grey	18	
1	Surface mounted housing bottom entry HB	Aluminium		Grey RAL7001	17	Neutral
1	Surface mounted housing bottom entry HB	Aluminium		Grey RAL7001	16	Without LB
1	Clip bolt-HB	Steel	Zinc plated	Blue	15	
1	Surface mounted housing bottom entry HB	Aluminium		Grey RAL7001	14	
1	Flange seal	Neoprene		Black	13	
1	Profile seal	Neoprene		Black	11	
1	ZB-Clip bolt	Stainless steel		Blue	10	
1	ZB-Clip bolt	Steel	Zinc plated	Blue	9	
1	LB-Side clip	Stainless steel		Blue	8	
1	LB-Side clip	Steel	Zinc plated	Blue	7	
1	VS-Locking clip	Stainless steel		Blue	6	
1	VS-Locking clip	Steel	Zinc plated	Blue	5	
1	Surface mounted housing bottom entry HB	Aluminium		With out varnish	4	
1	Surface mounted housing bottom entry HB-X	Aluminium	Aluminium oxide	Black RAL9005	3	
1	Surface mounted housing bottom entry HB-X	Aluminium		Black RAL9005	2	
1	Surface mounted housing bottom entry HB	Aluminium		Grey RAL7001	1	

DATE: 23.07.997
 DRAWING NO: 23.06.998
 SURFACE MOUNTED HOUSING BOTTOM ENTRY HB.16
 CUSTOMER DRAWING