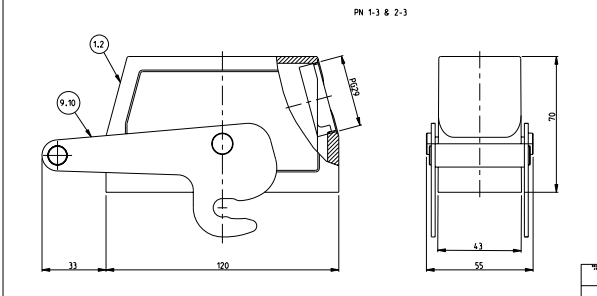
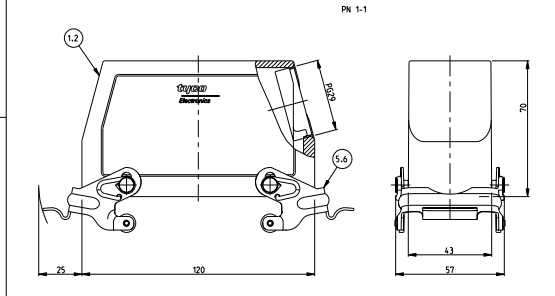
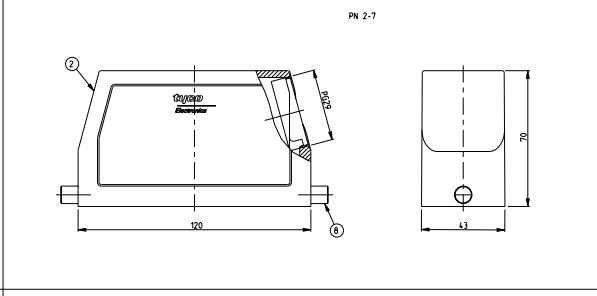
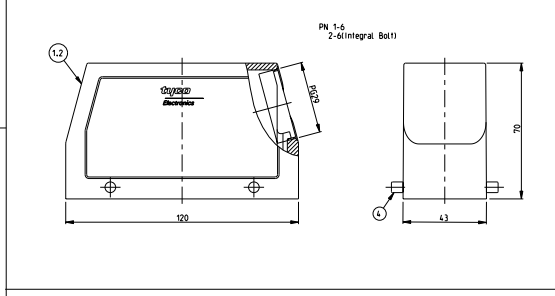
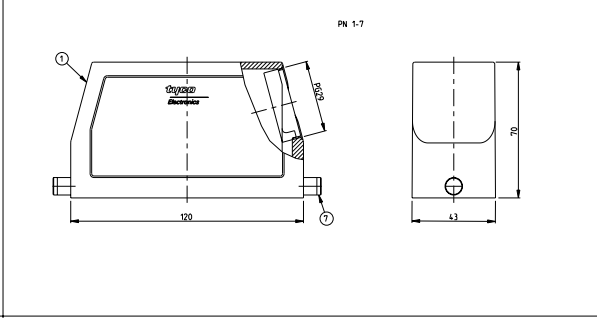
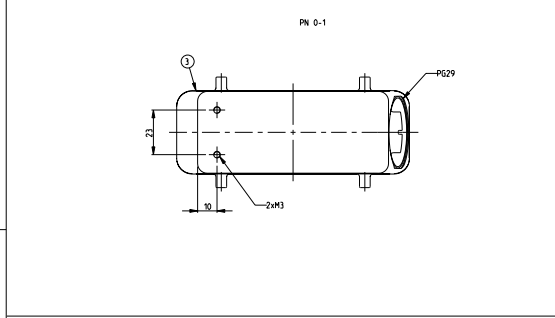
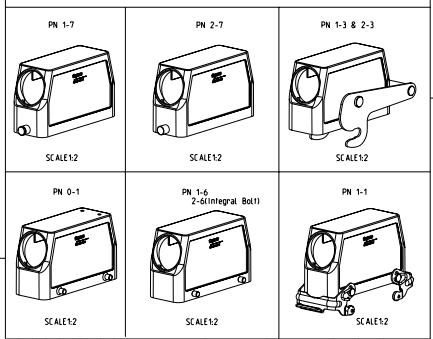


REV	DATE	DESCRIPTION	BY	CHK	APP
A1	-	Released as per ECR-07-019955	22.08.07	SK	TS



- NOTES.
- 1 Material:Housing:Aluminium Diecasting Alloy
 - 2 Surface: Powder varnish grey - Aluminium oxide- Varnish black
 - 3 Varnish on the inside not necessary
 - 4 Packaging Quantity 5 Pieces in a box



QTY	ITEM NO	DESCRIPTION	MATERIAL	SURFACE	COLOR	TEMP	REMARKS
1	1	ZB-Central clip	Stainless Steel	Blank	Blue	10	
1	2	ZB-Central clip	Steel	Zinc Plated	Blue	9	
1	2	VB-Clip bolt	Stainless Steel	Blank	Blue	8	
1	2	VB-Clip bolt	Steel	Zinc Plated	Blue	7	
1	2	V5-Side clip	Stainless Steel	Blank	Blue	6	
1	2	V5-Side clip	Steel	Zinc Plated	Blue	5	
1	2	V5-Clip bolt	Stainless Steel	Blank	Blue	4	
1	2	V5-Clip bolt	Steel	Zinc Plated	Blue	3	Name plate
1	1	HB-Hood	Aluminum	Aluminum Oxide	Black	2	
1	1	HB-Hood	Aluminum	Grey	1		

ITEM NO	DESCRIPTION	MATERIAL	SURFACE	COLOR	TEMP	REMARKS
1	HB-Hood	Aluminum	Aluminum Oxide	Black	2	
1	HB-Hood	Aluminum	Grey	1		

ORDERING TEXT
 HB-24-S15-1-29-G
 HB-K-24-S15-1-29-G
 HB-24-S15-1-29-G
 HB-K-24-S15-1-29-G
 HB-24-S15-1-29-G
 HB-K-24-S15-1-29-G
 HB-24-S15-1-29-G
 HB-K-24-S15-1-29-G

DATE: 28.01.2003
 DRAWN: 28.01.2003
 CHECKED: 28.01.2003
 APPROVED: 28.01.2003

TECH ELECTRONICS AMP GmbH
 D-51898 Aachen/Inchen, Germany

Hood
 HB-24-S15-1-29-G

SCALE CODE: A
 PART NO: 00779
 CUSTOMER DRAWING