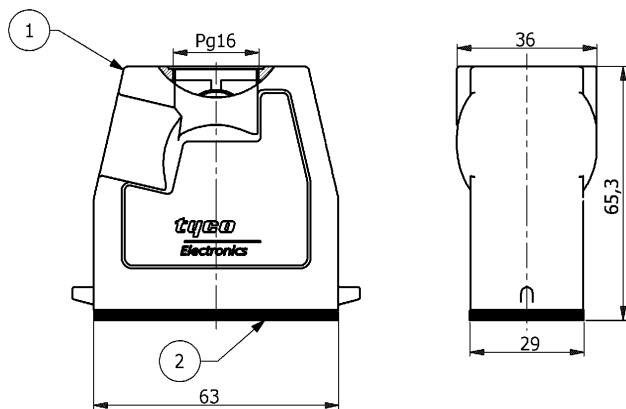


4		3		2		1	
THIS DRAWING IS UNPUBLISHED VERTRÄULICHE UNVERÖFFENTLICHE ZEICHNUNG		RELEASE FOR PUBLICATION FREI FÜR VERÖFFENTLICHUNG		MATED WITH: PASSEND ZU:		REVISONS ÄNDERUNGEN	
COPYRIGHT 2000		BY AMP INCORPORATED		HD.15		DESCRIPTION BESCHREIBUNG	
				PROJECT NR. EGGMA05416		DATE 5/2/2006	
				LOC AI		DWN -	
				P -		LTR -	
				B1		RELEASED AS PER ECR-06-010559	
						DWN RS	
						APVD ST	



PN:1-7 as shown

**NOTES**

- 1 PACKAGING QUANTITY: 5 PIECES PER BOX
- △ MATERIAL:HOUSING:ALUMINIUM DIE CAST ALLOY  
SEALS:NEPRENE
- △ SURFACE:VARNISH GREY  
ALUMINIUM OXIDE +  
VARNISH BLACK
- 4 VARNISH ON THE INSIDE NOT NECESSARY

(1 : 2)



**PN:1-7  
Ordering Text:  
HD.15.STO.1.16.G**

1	Profile Seal	Neoprene	-	Black	2	-
1	Hood	Aluminium	-	Grey	1	-
1-7	DESCRIPTION	MATERIAL	SURFACE	COLOR	ITEM NO.	REMARKS
DWN	R.SRINIVAS	4/20/2006	Tyco / Electronics AMP GmbH D - 53819 Neunkirchen, Germany			
CHK	R.SRINIVAS	4/20/2006	Electronics			
APVD	T.SCHNURPFEL	4/20/2006	NAME <b>HOOD</b> HD.15.STO.1.16.G			
PRODUCHT SPEC. PRODUKTSPEC.		108-74001;-74003		DRAWING NO. ZEICHNUNGS-NR.		
APPLICATION SPEC. VERKÄUFERSPEC.		114-74004		SIZE A3	CAGE CODE 00779	RESTRICTED TO WIR FÜR
WEIGHT GEWICHT		-		SCALE MASSSTAB	1:1	SHEET BLATT
CUSTOMER DRAWING / KUNDENZEICHNUNG		-		OF VON	1	REV. B1

DIMENSIONS: DIMENSIONEN: mm		TOLERANCES UNLESS OTHERWISE SPECIFIED: ALLGEMEINTOLERANZEN	
		H. ISO 2768 - mH-E P. ISO 2768 - mH-E M. DIN 16901 - m	
MATERIAL		FINISH / OBERFLÄCHE / FARBE	
△ 2		△ 3	