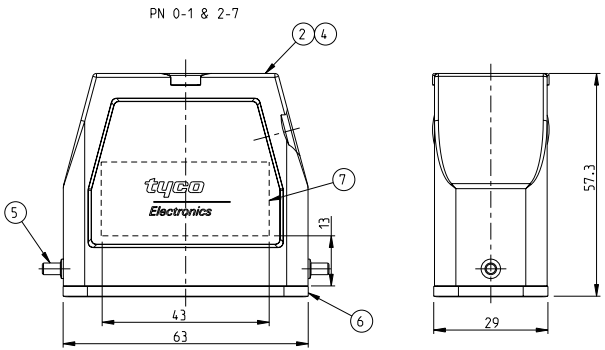
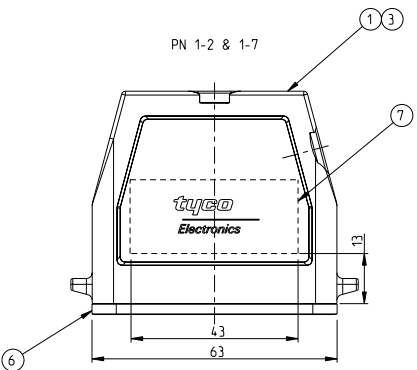
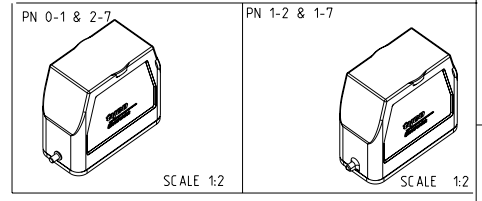


THIS DRAWING IS UNPUBLISHED. RELEASED FOR PUBLICATION 2000
 © COPYRIGHT 2000 BY TYCO ELECTRONICS CORPORATION. ALL RIGHTS RESERVED.

LOC	DIST	REVISIONS			
P	LTR	DESCRIPTION	DATE	DWN	APVD
B3		RELEASED AS PER ECR-09-005170	05.MAR.2009	GG	TS



- NOTES
- 1 PACKAGING QUANTITY: 5 PIECES PER BOX
 - 2 MATERIAL: HOUSING ALUMINIUM DIECASTING ALLOY
 - 3 SURFACE: POWDER COATED - GREY
CORROSION PROTECTION - BLACK
 - 4 VARNISH ON THE INSIDE NOT NECESSARY



QTY	DESCRIPTION	MATERIAL	SURFACE	COLOR	ITEM NO	REMARKS	
2	INSULATING TAPE	COROPLAST TYP 303	-	GREY	7	PVC-SOFT	
1	PROFILE SEAL	NEOPRENE	-	BLACK	6	-	
2	CLIP BOLT	STAINLES STEEL	BLANK	-	5	-	
1	HOOD	ALUMINIUM	HARD COAT	BLACK	4	-	
-	1	HOOD	ALUMINIUM	-	3	-	
-	1	HOOD	ALUMINIUM	HARD COAT	ALU COLORED	2	-
-	1	HOOD	ALUMINIUM	W ITHOUT VARNISH	-	1	-
2-71-7	0-1 DESCRIPTION	MATERIAL	SURFACE	COLOR	ITEM NO	REMARKS	
	HA-K.10.STS.1.16.G					1 PACKAGING	
	HA.10.STS.1.16.G					2 PACKAGING	
	HA.10.STS.1.16.G					3 PACKAGING	
	HA-K.10.STS.1.16.G					4 PACKAGING	

DIMENSIONS: mm 		TOLERANCES UNLESS OTHERWISE SPECIFIED: 0 PLC ± 1 PLC ± 2 PLC ± 3 PLC ± 4 PLC ± ANGLES ±		DOWN 23/02/2006 S.KUMAR CHK 23/02/2006 R.SRINIVAS APVD 23/02/2006 T.SCHNURPFIL		Tyco Electronics Tyco Electronics, AMP GmbH 53757 Sankt Augustin, Germany	
MATERIAL		FINISH		PRODUCT SPEC 108-74009 APPLICATION SPEC 114-74001 WEIGHT -		NAME HA HOOD HA.10.STS.1.16.G	
CUSTOMER DRAWING				SIZE A3 CAGE CODE 00779 DRAWING NO C-1102117		RESTRICTED TO	
SCALE 1:1 SHEET 1 OF 1				REV B3			

AMP 1470-19 REV 31MAR2000
 Pro/ENGINEER DRAWING