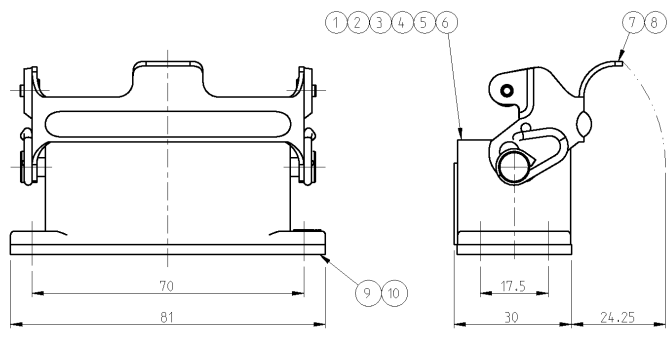


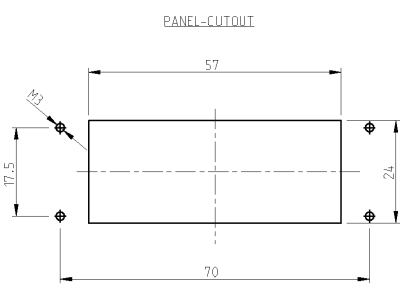
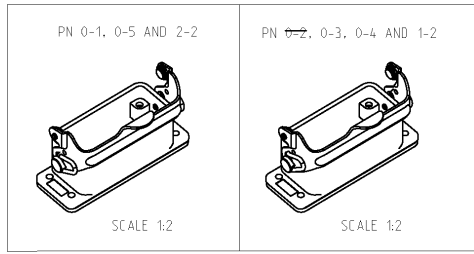
THIS DRAWING IS UNPUBLISHED. RELEASED FOR PUBLICATION 2000
 © COPYRIGHT 2000 BY TYCO ELECTRONICS CORPORATION. ALL RIGHTS RESERVED.

LOC	DIST	P	LTR	REVISIONS	DATE	DWN	APVD
A1	-			RELEASED AS PER ECR-09-0001570	05.MAR.2009	GG	TS
				A7 REVISED PER ECO-09-027197	19JAN10	KK	HMR

- NOTES:
- 1 MATERIAL: SEE TABLE
 - 2 SURFACE: SEE TABLE
 - 3 VARNISH ON THE INSIDE NOT NECESSARY
 - 4 Chromital TCP - PASSIVATION
 - 5 **OBsolete PARTS: OBSOLETE CIS STREAMLINING PER D.RENAUD/D.SINISI**



PN 0-1 AS SHOWN



-	-	-	-	-	-	FLANGE MOUNTED SEAL	NEOPRENE	CONDUCTIVE	BLACK	10		
1	1	1	1	1	1	FLANGE MOUNTED SEAL	NEOPRENE		BLACK	9		
1	-	1	-	-	1	LB- SIDE CLIP	STAINLESS STEEL			8		
-	1	-	1	1	-	LB- SIDE CLIP	STEEL	ZINC PLATED	BLUE	7		
-	-	1	-	-	-	SURFACE MOUNTED HOUSING, BOTTOM ENTRY	ALUMINIUM	HARD COAT	BLACK	6		
-	-	-	1	-	-	SURFACE MOUNTED HOUSING, BOTTOM ENTRY	ALUMINIUM	HARD COAT	AL COLOR	5		
-	-	-	-	1	-	SURFACE MOUNTED HOUSING, BOTTOM ENTRY	ALUMINIUM	HARD COAT	AL COLOR	4		
-	-	-	-	-	-	SURFACE MOUNTED HOUSING, BOTTOM ENTRY	ALUMINIUM		WITHOUT VARNISH	3		
1	-	-	-	-	-	SURFACE MOUNTED HOUSING, BOTTOM ENTRY	ALUMINIUM	ALUMINIUM OXIDE	BLACK RAL 9005	2		
-	1	-	-	1	-	SURFACE MOUNTED HOUSING, BOTTOM ENTRY	ALUMINIUM		GREY RAL 7001	1		
2-2	1-2	0-5	0-4	0-3	0-2	0-1	DESCRIPTION	MATERIAL	SURFACE	COLOR	ITEM NO	REMARKS
ORDERING TEXT												
HA-K,10,AG-LB,50												
HA,10,AG-LB,50												
HA,10,AG-LB,KM												
HA-EMV,10,AG-LB												
HA-K,10,AG-LB												
HA,10,AG-LB												
HA-K,10,AG-LB												

DIMENSIONS: mm 		TOLERANCES UNLESS OTHERWISE SPECIFIED: 0 PLC ±0.15 1 PLC ±0.2 2 PLC ±0.3 3 PLC ±0.4 4 PLC ±0.5 PANELS ±		DWN 4/8/1999 SCHNEIDER CHK 4/8/1999 SCHWEIGER APVD 4/8/1999 T.SCHNURPFILH PRODUCT SPEC 108-74009 APPLICATION SPEC 114-74004 WEIGHT - CUSTOMER DRAWING		Tyco Electronics Tyco Electronics AMP GmbH 53757,Sankt Augustin,Germany NAME SURFACE MOUNTED HOUSING, BOTTOM ENTRY HA10,AG-LB SIZE CAGE CODE DRAWING NO A3 00779 C=1102121 RESTRICTED TO - SCALE 1:1 SHEET 1 of 1 REV A7	
-----------------------	--	---	--	--	--	---	--