

4

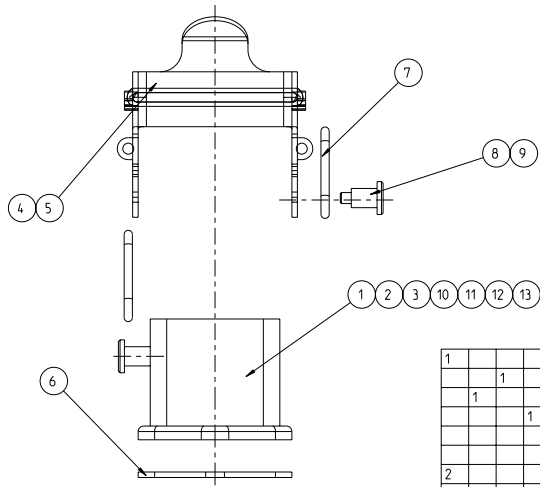
3

2

1

THIS DRAWING IS UNPUBLISHED. RELEASED FOR PUBLICATION 2006  
 BY TYCO ELECTRONICS CORPORATION. ALL INTERNATIONAL RIGHTS RESERVED.  
 COPYRIGHT 2006

REV	DATE	BY	APPV	DESCRIPTION
A10	12R-10-004B57			



- NOTES
- PART SHALL BE FREE AND CLEAN OF BURRS AND OTHER FOREIGN MATERIAL
  - PACKAGING: QUANTITY 10 PIECES
  - SPECIAL PACKAGING: PACKAGING UNIT: 100 PIECES

QTY	DESCRIPTION	MATERIAL	SURFACE	COLORE	ITEM	NOTES
1	SURFACE MOUNTED HOUSING BOTTOM ENTRY	ZINC DICAST	CHROMOLUX-K-BLUE CHR.	METALLIC SILVER	15	
1	SURFACE MOUNTED HOUSING BOTTOM ENTRY	ZINC DICAST		BLACK	14	
1	SURFACE MOUNTED HOUSING BOTTOM ENTRY	ZINC DICAST		BLUE	13	
1	SURFACE MOUNTED HOUSING BOTTOM ENTRY	ZINC DICAST	CHROMOLUX-K-BLUE CHR.	BLANC	12	
1	SURFACE MOUNTED HOUSING BOTTOM ENTRY	ZINC DICAST		GREY	11	
1	SURFACE MOUNTED HOUSING BOTTOM ENTRY	ZINC DICAST		WITHOUT VARNISH	10	
2	FIXING BOLT	STAINL. STEEL			9	
2	FIXING BOLT	STEEL	ZINC PLATED	BLACK	8	
2	CLIP SPRING	STAINL. STEEL			7	
1	FLANGE SEAL	NEOPRENE		BLACK	6	
1	SIDE CLIP	STAINL. STEEL			5	
1	SIDE CLIP	STEEL	ZINC PLATED	BLUE	4	
1	SURFACE MOUNTED HOUSING BOTTOM ENTRY	ZINC DICAST		WHITE ALU.	3	
1	SURFACE MOUNTED HOUSING BOTTOM ENTRY	ZINC DICAST		BLACK	2	
1	SURFACE MOUNTED HOUSING BOTTOM ENTRY	ZINC DICAST		GREY	1	
0-7	HA.3.AG-LB					
0-6	HA-K.3.AG-LB					
0-5	HA.3.AG-LB-SO					
0-4	HA-K.3.AG-LB					
0-3	HA.3.AG-LB-KM					
0-2	HA.3.AG					
0-1	HA-EMV.3.AG-LB					
6-2	HA.3.AG-LB					
2-2	HA.3.AG-LB					
1-2	HA.3.AG-LB					

DIMENSIONS: mm 	TOLERANCES UNLESS OTHERWISE SPECIFIED: OPERATIVE SPECIES: 0 PLC ± 1 PLC ± 2 PLC ± 3 PLC ± 4 PLC ± ANGLES ±° FINISH	DWG: B. SCHNEIDER CHK: L. SCHNEIDER APPV: L. SCHNEIDER DATE: 09MAR2010 NAME: SURFACE MOUNTED HOUSING BOTTOM ENTRY ASSY HA.3 PRODUCT SPEC: - APPLICATION SPEC: - WEIGHT: - CUSTOMER DRAWING: -	Tyco Electronics tyco Electronics AMP GmbH 53957 Sankt Augustin (Germany)	SIZE: A2 CASE CODE: 00779 DRAWING NO: 1102105 RESTRICTED TO: - SCALE: 5:1 SHEET: 1 of 1 REV: A10
-----------------------	--	---	---	--