

# Accessories



## Accessories

Weidmüller offers a comprehensive range of accessories for its range of heavy duty connectors.

As well as manual crimping tools, we offer crimping machines for processing turned and rolled crimp contacts.

Operating and contact removal tools round off the product range.

Furthermore, coding sets, adapter plates and cover plates are included in the range of accessories.

In addition, the range of accessories is supplemented by components for the DSTVK and DSTV-HD through-panelconnectors.

Marking material, marking carriers and marking plates round off the range.

## Accessories

**NEW**

### RailMate - rail mounting system

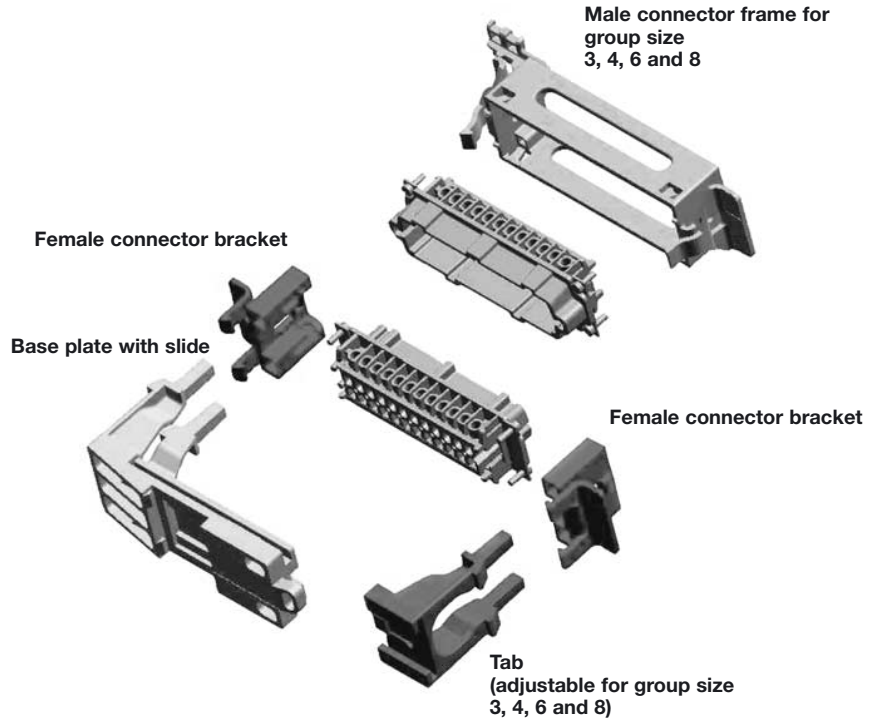


The new RailMate rail-mounting system allows connectors to be wired inside switchgear cabinets at a reasonable price

- Snap-on components require no tools for mounting
- Easy to pre-assemble
- Large cable compartment
- Simplified direct wiring on TS 35 rails
- Adjustable for varying number of poles
- Greater stability and functional safety
- Coding ensures error-free connection
- Large marking surfaces

Sets comprise a complete mounting system (without connector):

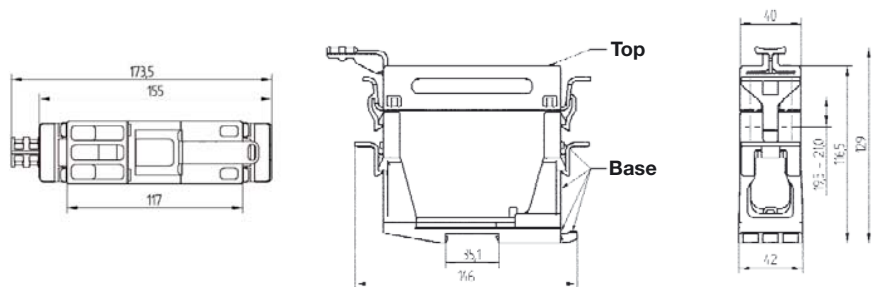
- 1 Base plate with slide
- 1 Tab
- 2 Female connector brackets
- 1 Male connector frame



### Technical data

Use with top-hat rail in accordance with DIN EN 50022 – 35 x 7,5 and DIN EN 50022- 35 x 15

Material:	Polycarbonate,
Colour:	Pebble grey, RAL 7032
Material property:	Phosphorous and halogene-free
Flammability class:	V0 in accordance with UL 94
Temperature range:	-40° C to 125° C



### Ordering data

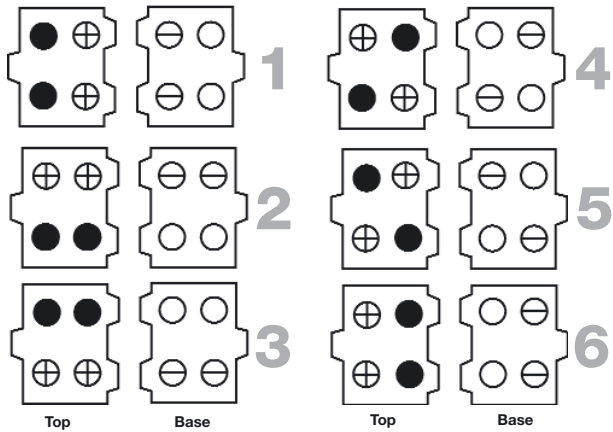
Description	Type	Cat. No.			Qty.
<b>Sets</b>					
Set for inserts group size 3	HDC RailMate HB6 Set	<b>1797500000</b>			1
Set for inserts group size 4	HDC RailMate HB10 Set	<b>1797510000</b>			1
Set for inserts group size 6	HDC RailMate HB16 Set	<b>1797520000</b>			1
Set for inserts group size 8	HDC RailMate HB24 Set	<b>1797530000</b>			1
<b>Individual components</b>					
Male connector frames for group size 3	HDC RailMate HB6 Top	<b>1797540000</b>			10
Male connector frames for group size 4	HDC RailMate HB10 Top	<b>1797550000</b>			10
Male connector frames for group size 6	HDC RailMate HB16 Top	<b>1797560000</b>			10
Male connector frames for group size 8	HDC RailMate HB24 Top	<b>1797570000</b>			10
Base plate with slide, tab and 2 female connector brackets for group sizes 3, 4, 6 and 8	HDC RailMate Base	<b>1797580000</b>			1
<b>Accessories</b>					
Coding set with 50 pins and 50 plugs	HDC RailMate COS	<b>1798260000</b>			1
Labels for laser printer (264 pieces/DIN A 4 sheets)	LM MT 300 20/8	silver <b>1686380001</b>	white <b>1686381044</b>	yellow <b>1686381687</b>	10 sheets
Labels for thermal transfer printer 10,000 pieces/roll	THM MT30X 32/9	<b>1751770001</b>	<b>1751771044</b>	<b>1751771687</b>	1 roll



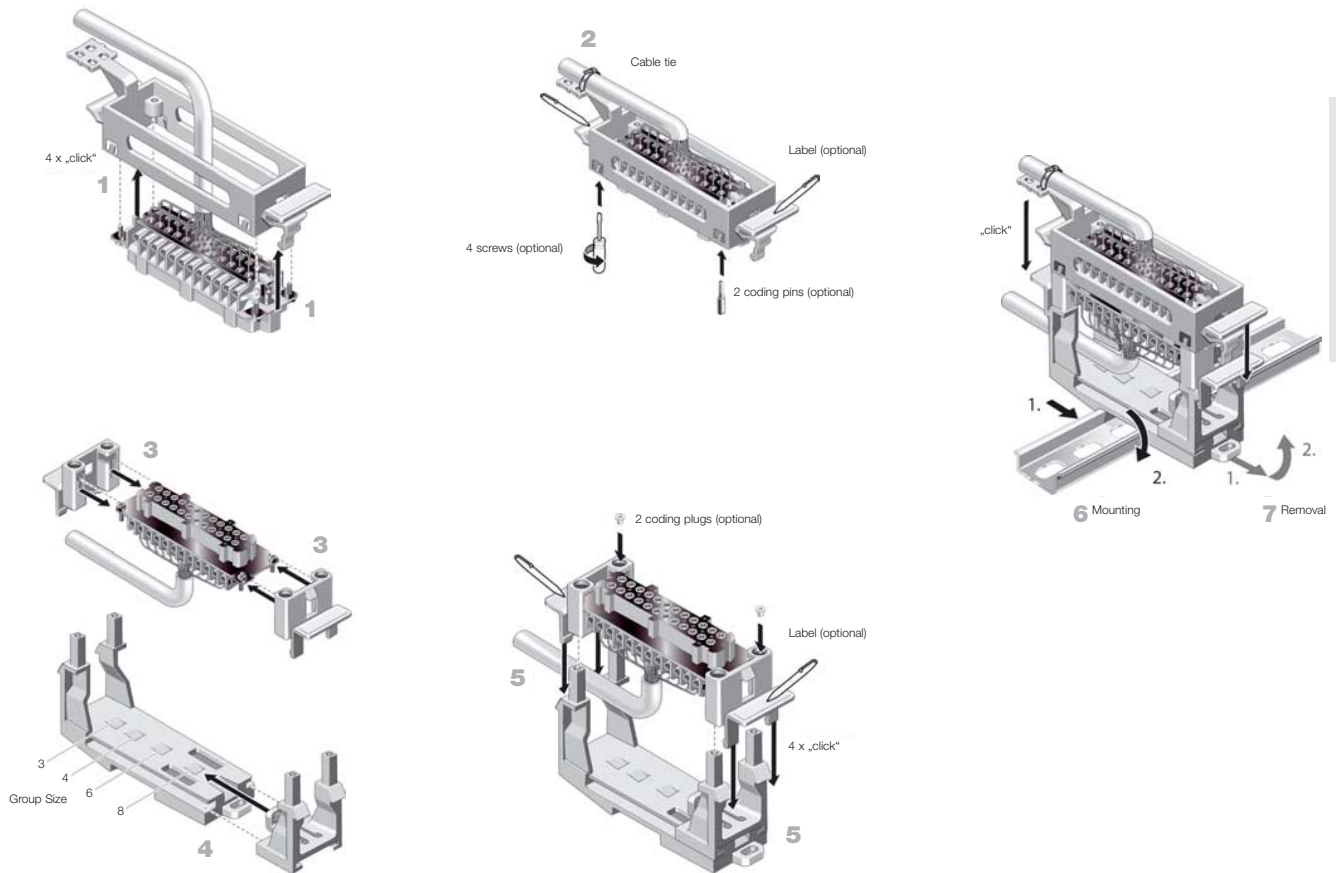
RailMate - rail mounting system

Coding scheme

- Coding pins
- ⊕ Fixing screw
- ⊖ Coding plugs
- Open



Mounting instructions



Accessories

## Accessories

### Crimping tools

Special type for HE male and female contacts

Preferred type for turned crimp contacts HE, HD and ConConcept

For stamped GS/GB and CS/CB contacts

### Screwdriver

#### CZB 1



Type	Description	Cat. No.	Qty.
<b>CZB 1</b>	Crimping tool for 1.5...4.0 mm <sup>2</sup> conductor cross-section	<b>9012710000</b>	1

#### CTX CM



Type	Description	Cat. No.	Qty.
<b>CTX CM 3.6</b>	Crimping tool for Ø 3.6 mm contacts with 4.0...10.0 mm <sup>2</sup> conductor cross-section of ConConcept module CM-3	<b>9018480000</b>	1
<b>CTX CM 1.6/2.5</b>	Crimping tool for Ø 1.6 mm/Ø 2.5 mm contacts with 0.14...2.5 mm <sup>2</sup> conductor cross-section, of turned HE, turned HD and ConConcept contacts	<b>9018490000</b>	1
<b>HDC-CM-3</b>	Crimping tool for 1.5...10 mm <sup>2</sup> conductor cross-section of ConConcept module CM-3	<b>1700890000</b>	1
<b>HDC-CM-20</b>	Crimping tool for Ø 1.0 mm D-Sub contacts with 0.08...0.52 mm <sup>2</sup> conductor cross-section of ConConcept module CM-20	<b>1700900000</b>	1

#### HDC-CM



#### HTF RSV 1.6



Type/Description	Cat. No.	Qty.
<b>HTF RSV 1.6</b>	<b>9013560000</b>	1
Crimping tool		
Crimpable contact		
Cross-section mm <sup>2</sup>	AWG-conductor	Insulation diameter in mm
0.14...0.25	26...24	0.8...1.4
0.34...0.5	22...20	1.1...1.8
0.34...0.5	22...20	2.0...2.5
0.75...1.5	18...16	2.0...3.5

#### SD



Type	Cat. No.	Qty.
<b>SD</b>	<b>9008330000</b>	1
Crimping tool		

### Contact removal tool<sup>9)</sup>

for HD and ConConcept crimp contacts or GB/GS and CB/CS crimp contacts

### Module removal tool

for ConConcept modules

#### DW RSV 1.6



#### HDC-DW

M3/5/10



M20



M4



#### HDC-DW-MOD



Type	Cat. No.	Qty.
<b>DW RSV 1.6</b>	<b>9004530000</b>	1
Tool for removal of stamped HD female and male contacts of type CB/CS and GB/GS		

#### Contact removal tool for ConConcept

Type	for ConConcept module	Cat. No.	Qty.
<b>HDC-DW-M3</b>	HDC-CM-3	<b>1688240000</b>	1
<b>HDC-DW-M5</b>	HDC-CM-5	<b>1688230000</b>	1
<b>HDC-DW-M10<sup>1)</sup></b>	HDC-CM-10	<b>1688220000</b>	1
<b>HDC-DW-M20</b>	HDC-CM-20	<b>1688210000</b>	1
<b>HDC-DW-M4<sup>2)</sup></b>	HDC-CM-HE -4	<b>1760170000</b>	1

Type	Cat. No.	Qty.
<b>HDC-DW-MOD</b>	<b>1688200000</b>	1
For removal of ConConcept modules from the frame		

<sup>1)</sup> Tool for removal of turned HD contacts

<sup>2)</sup> Tool for removal of HE contacts

<sup>3)</sup> Please do not loosen the contact more than 3 times

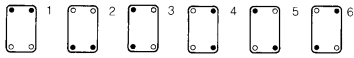
## Accessories

### Coding by means of coding pins for all fixed-pole inserts

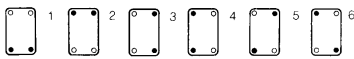


Type	Cat. No.	Qty.
SPB-M 3	1203600000	10

- Coding pins
- Fixing screws



#### Male insert



#### Female insert

The coding system is not compatible with the KDSTV COS 32...16 and DSTVR COS 16 coding system.

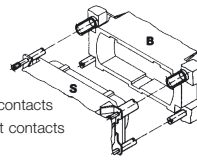
### Coding set for connector types\*

**DSTVK-R**  
**DSTV-HD R**

with corresponding mating connector

**HE**  
**HD**

Type	Cat. No.	Qty.
DSTV R. COS 16	1474300000	1



**B** = Female element with pin contacts  
**S** = Male element with socket contacts

yes no yes



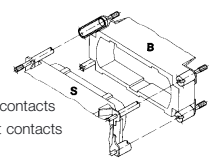
Examples of impermissible/  
permissible coding element combinations.

Up to 8 connectors can be coded with the contents of one coding set. Two coding sets must be used in order to be able to code 9 to 16 connectors.

### Coding set for connector types

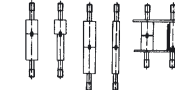
**HE**  
**HD**  
**HSB**  
**DSTV K**  
**DSTV-HD**

Type	Cat. No.	Qty.
DSTV COS 16	1431000000	1
DSTV COS 24	1430900000	1
DSTV COS 32	1430800000	1



**B** = Female element with pin contacts  
**S** = Male element with socket contacts

no no no no yes yes



Examples of impermissible/  
permissible coding element combinations.

Number of codable connectors (max.)

	72	64	56	48	40	32	24	16	8
Coding set	Number of coding sets required								
DSTV COS 16	2	1							
DTSV COS 24	3	3	3	2	1				
DSTV COS 32	4	4	4	4	4	4	3	2	1

\*Coding scheme for DSTVK COS see page 236 "Accessories"

### Fixing foot for TS 35 mounting rail

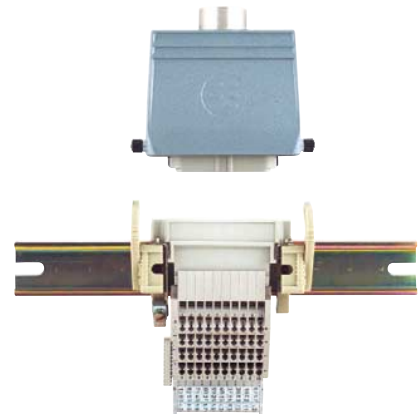


Type	Cat. No.	Qty.
DSTV-TS 6-24	1595220000	10

### Locking latch



Type	Cat. No.	Qty.
DSTV-TS 6 VH	1595230000	10
DSTV-TS 10-24 VH	1595240000	



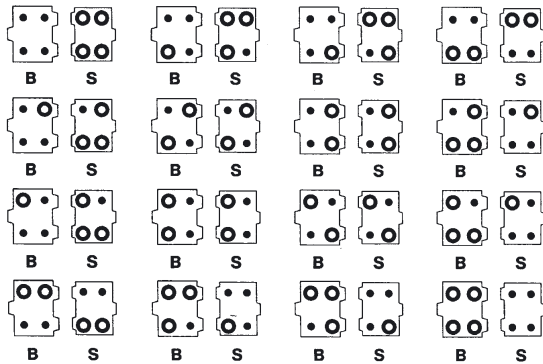
Example of application: DSTV-TS

## Accessories

### Coding scheme for coding set

#### DSTV COS 16

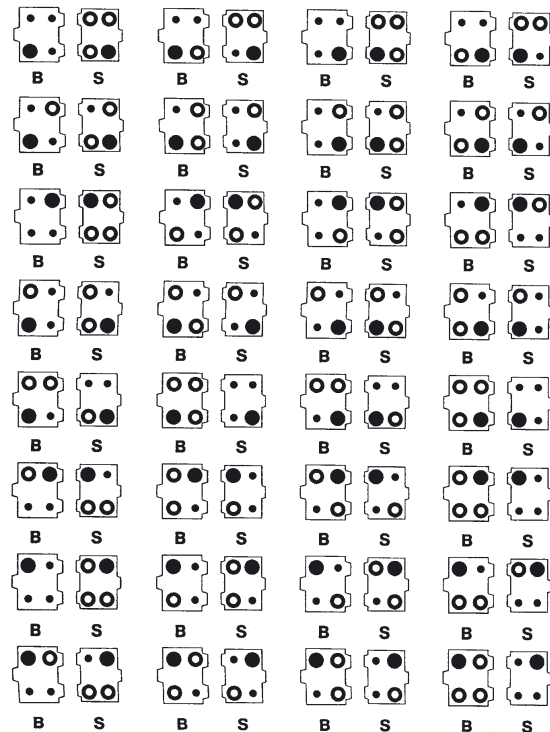
2 coding sets can code max. 16 connectors.  
Please order 2 sets for 16 connectors.



### Coding scheme for coding set

#### DSTV COS 32

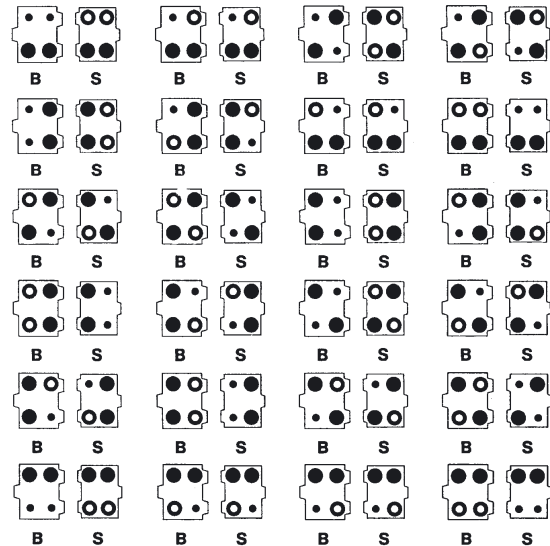
4 coding sets can code max. 32 connectors.  
Please order 4 sets for 32 connectors.



### Coding scheme for coding set

#### DSTV COS 24

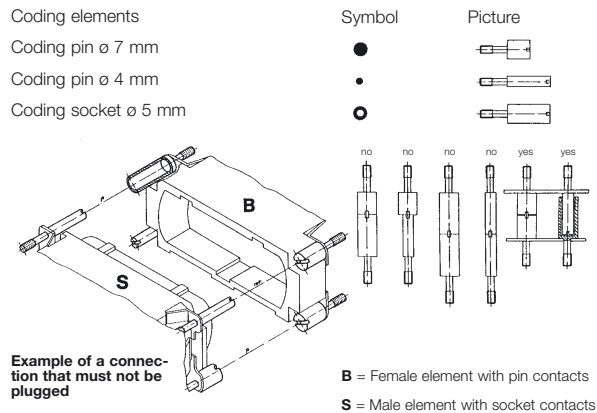
3 coding sets can code max. 24 connectors.  
Please order 3 sets for 24 connectors.



### Coding systems for square connectors with M3 thread

Correct mating of connectors requires a simple, functionally reliable coding system.

The **COS coding system** is suitable for all square connectors. The coding elements are fitted instead of the fixing screws.



A maximum of 8 plug connections can be coded using the parts of any one coding set.

In order to be able to code more than 8 connectors, the number of necessary coding sets must be read from the table.

Number of codable connectors (max.)

Coding set	72	64	56	48	40	32	24	16	8
DSTV COS 16	2	1							
DTSV COS 24	3	3	3	2	1				
DSTV COS 32	4	4	4	4	4	4	3	2	1

Individual parts per Qty.	Coding set		
	COS 16	COS 24	COS 32
Spring washer A3 DIN 137	8 x 8	8 x 8	8 x 8
Coding instructions	1	1	1
Coding pin $\varnothing$ 7 mm		8 x 4	8 x 2
Coding socket $\varnothing$ 5 mm	8 x 4	8 x 2	8 x 3
Coding pin $\varnothing$ 4 mm	8 x 4	8 x 2	8 x 3



## Accessories

### Marking material Snap-on marking tag S 10



Type	Cat. No.	Qty.
SO 10 unprinted	<b>0332300000</b>	10
SF 10 sequential print	<b>0332400000</b>	10
SG 10 identical print	<b>0332500000</b>	10

Ordering guide for the required number of individual digits for compiling multi-digit numbers:

Individual digits for marking from...to...			
1...50	10...100	1...150	1...200
15 x 1	21 x 1	86 x 1	140 x 1
15 x 2	20 x 2	35 x 2	41 x 2
15 x 3	20 x 3	35 x 3	41 x 3
15 x 4	20 x 4	35 x 4	41 x 4
6 x 5	20 x 5	26 x 5	40 x 5
5 x 6	20 x 6	25 x 6	40 x 6
5 x 7	20 x 7	25 x 7	40 x 7
5 x 8	20 x 8	25 x 8	40 x 8
5 x 9	20 x 9	25 x 9	40 x 9
5 x 0	11 x 0	25 x 0	31 x 0

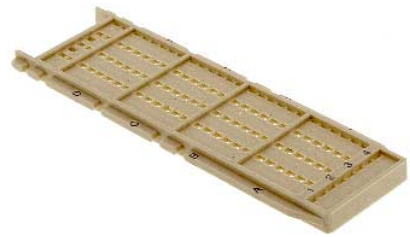
### Marking carriers Group marker for DSTVK... and DSTVK R... inserts



Type	Cat. No.	Qty.
BZ 2/12 12-pole	<b>1339460000</b>	10

Type	Cat. No.	Qty.
DSTV BZP 2	<b>1471700000</b>	20
Group marker (unprinted) for snapping onto DSTVK....		
DSTVK R... Printed group marker on request.		

### Marking plate DSTV-HD BZS ... for DSTV-HD inserts used with S-10 snap-on marking tags



for	Type	Cat. No.	Qty.
DSTV-HD-BL 40...	DSTV-HD BZS-BL 40...	<b>1550360000</b>	5
DSTV-HD-SL 40...	DSTV-HD BZS-SL 40...	<b>1550560000</b>	5

### Adapter plate, plastic



Type	Cat. No.	Group size	Qty.
ADP-8/3-OR	<b>1664980000</b>	3	10
ADP-8/3-GR	<b>1664990000</b>	3	10
ADP-8/4-OR	<b>1665000000</b>	4	10
ADP-8/4-GR	<b>1665010000</b>	4	10
ADP-8/6-OR	<b>1665020000</b>	6	10
ADP-8/6-GR	<b>1665030000</b>	6	10

GR = Grey  
OR = Orange

### Cover plates



Type	Cat. No.	Group size	Qty.
ABD-1 shee steel	<b>9457300000</b>	1	50
ABD-2-GR	<b>1664330000</b>	2	10
ABD-3-GR	<b>1664350000</b>	3	10
ABD-5-GR	<b>1664370000</b>	5	10
ABD-6-GR	<b>1664390000</b>	6	10
ABD-8-OR	<b>1664960000</b>	8	10
ABD-8-GR	<b>1664970000</b>	8	10

### Adapter plate, D-Sub



Type	Cat. No.	Group size	Qty.
ADS/6-1/9	<b>1665940000</b>	3	10
ADS/6-2/9	<b>1665950000</b>	3	10
ADS/6-1/15	<b>1666200000</b>	3	10
ADS/6-2/15	<b>1666210000</b>	3	10
ADS/10-1/25	<b>1666220000</b>	4	10
ADS/10-2/25	<b>1666230000</b>	4	10
ADS/16-1/25	<b>1666320000</b>	6	10
ADS/16-2/25	<b>1666330000</b>	6	10
ADS/16-1/37	<b>1666340000</b>	6	10
ADS/16-2/37	<b>1666350000</b>	6	10
ADS/16-1/50	<b>1666460000</b>	6	10



# Accessories

## Connector and Bulkhead housing

### HA. 10...

With Sub-D 25 as IDC version  
With protection against incorrect plugging

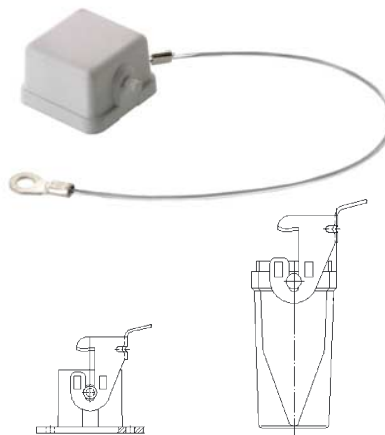


Type	Cat. No.
Plug hood with PG 11	
HA.10/SUB-D 25 BU with Sub-D 25 female version	<b>1567410000</b>
Bulkhead housing	
HA.10/SUB-D 25 ST with Sub-D 25 male version	<b>1567420000</b>
Bulkhead housing	
HA.10/SUB-D 25 AG without Sub-D	<b>1572680000</b>
Connector and bulkhead housing complete	
HA.10/SUB-D 25	<b>1563950000</b>

## Overview of housing covers

### Cover for housing with end locking

Plastic / Cover with cord

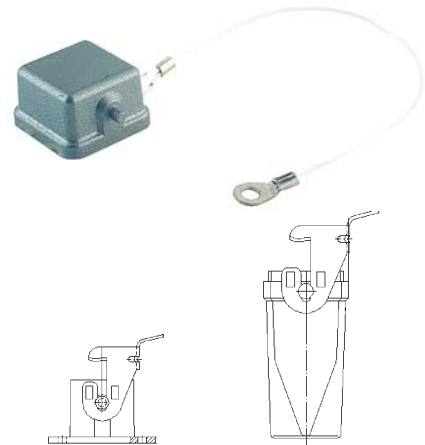


Version / type	GS	Cat. No.	Qty.
<b>Plastic cover</b>			
HDC-HA-3-KDBF-S	1	<b>1665760000</b>	10
HDC-HA-3-KDBF-B	1	<b>1665770000</b>	10

S = Cover without gasket when male insert is used  
B = Cover with gasket when female insert is used

### Cover for housing with end locking

Metal / Cover with cord

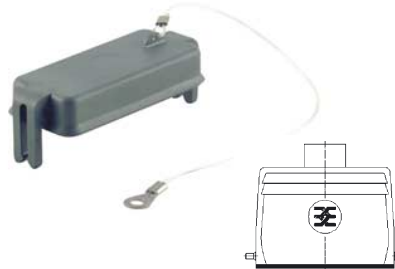


Version / type	GS	Cat. No.	Qty.
<b>Metal cover</b>			
HDC-HA-3-MDBF-S	1	<b>1665740000</b>	10
HDC-HA-3-MDBF-B	1	<b>1665750000</b>	10

S = Cover without gasket when male insert is used  
B = Cover with gasket when female insert is used

### Cover for plug hood

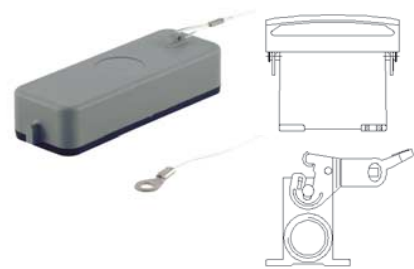
Cover with cord



Version / type	GS	Cat. No.	Qty.
<b>Plastic cover</b>			
HDC-HA-10-KDF	2	<b>1665890000</b>	5
HDC-HA-16-KDF	5	<b>1665910000</b>	5

### Cover for housing with end locking

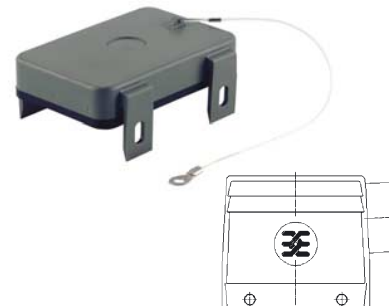
Cover with cord



Version / type	GS	Cat. No.	Qty.
<b>Plastic cover</b>			
HDC-HA-10-KDBF	2	<b>1665880000</b>	5
HDC-HA-16-KDBF	5	<b>1665900000</b>	5

### Cover for plug hood

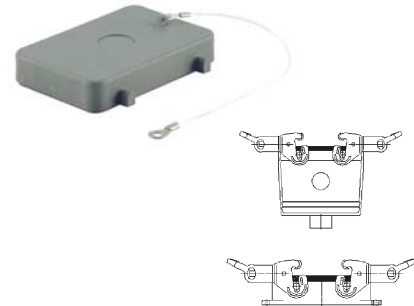
Cover with cord



Type	GS	Cat. No.	Qty.
<b>Plastic cover</b>			
HDC-HA-32-KDF	7	<b>1665930000</b>	2

### Cover for housing with side locking

Cover with cord



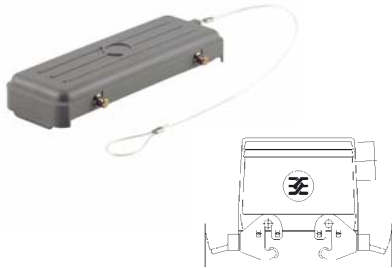
Type	GS	Cat. No.	Qty.
<b>Plastic cover</b>			
HDC-HA-32-KDBF	7	<b>1665920000</b>	2

## Accessories

### Overview of housing covers

#### Cover for plug hood with side locking

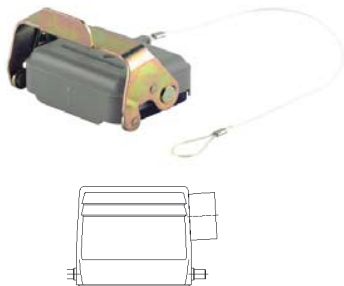
Cover with cord



Type	GS	Cat. No.	Qty.
<b>Plastic cover</b>			
HDC-HB-10-DBP	4	1665250000	5
HDC-HB-16-DBP	6	1665620000	5
HDC-HB-24-DBP	8	1665650000	2

#### Cover for plug hood

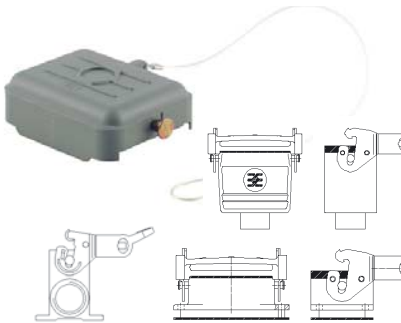
Cover with cord



Type	GS	Cat. No.	Qty.
<b>Plastic cover</b>			
HDC-HB-6-DT	3	1665210000	2

#### Cover for lower side with end locking

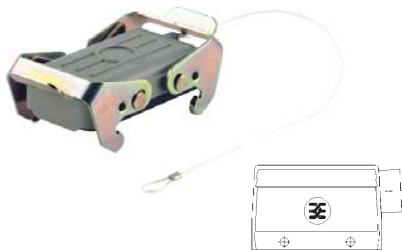
Cover with cord



Type	GS	Cat. No.	Qty.
<b>Plastic cover</b>			
HDC-HB-6-DB	3	1665200000	5

#### Cover for plug hood

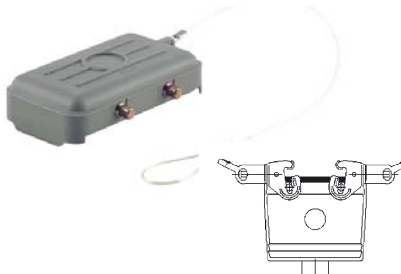
Cover with cord



Type	GS	Cat. No.	Qty.
<b>Plastic cover</b>			
HDC-HB-10-DT	4	1665240000	2
HDC-HB-16-DT	6	1665270000	2
HDC-HB-24-DT	8	1665640000	2

#### Cover for lower side with side locking

Cover with cord



Type	GS	Cat. No.	Qty.
<b>Plastic cover</b>			
HDC-HB-10-DB	4	1665230000	5
HDC-HB-16-DB	6	1665260000	2
HDC-HB-24-DB	8	1665630000	2