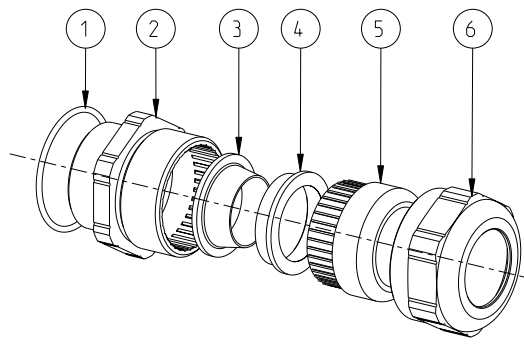
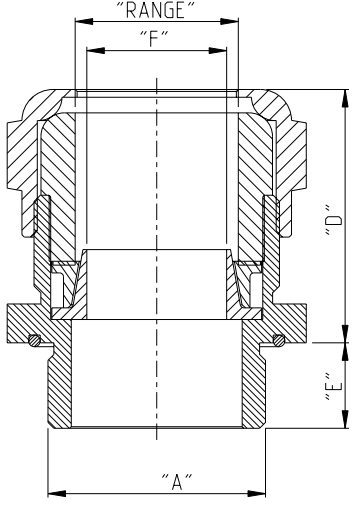


THIS DRAWING IS UNPUBLISHED. RELEASED FOR PUBLICATION 2006  
 © COPYRIGHT 2006 BY TYCO ELECTRONICS CORPORATION. ALL RIGHTS RESERVED.

LOC	DIST	REVISIONS			
P	LTR	DESCRIPTION	DATE	DWN	APVD
A1	-	NEW DRAWN	21JUL2009	GW	BR



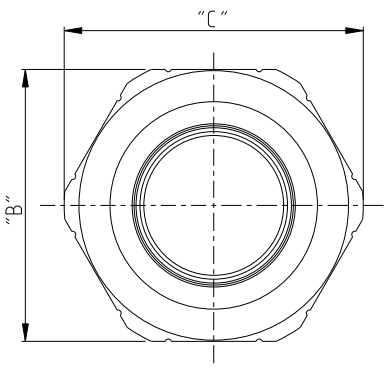
- Notes
- 1 PACKAGING: 10 PIECES IN A CARTON
  - 2 PACKAGING: 5 PIECES IN A CARTON

QTY.	DESCRIPTION	MATERIAL	SURFACE / COLOR	ITEM
1	SEALING INSERT	TPE-V		6
1	PRESSURE NUT	BRASS	NICKEL PLATED	5
1	OUTER CONE	BRASS	NICKEL PLATED	4
1	INNER CONE	BRASS	NICKEL PLATED	3
1	DOUBLE NIPPLE	BRASS	NICKEL PLATED	2
1	O-RING	NBR	BLACK	1

PARTS LIST

△	2-5	PG 29	40	43.5	39	13	24	26.0-22.0	0.153
△	2-3	PG 29	40	43.5	39	13	20	23.0-19.0	0.151
△	2-2	PG 21	35	38.5	34	12	18	20.0-17.0	0.132
△	1-9	PG 21	30	33.5	32	12	13	16.5-14.0	0.132
△	1-8	PG 21	30	35.5	32	12	10.5	14.0-10.0	0.132
△	1-6	PG 16	30	33.5	32	11	13	16.5-14.0	0.096
△	1-4	PG 16	30	33.5	32	11	8	11.5-10.0	0.095
△	1-1	PG 16	30	33.5	32	11	7	10.5-8.0	0.095
△	0-7	PG 13.5	24	26.7	31	10	3.3	6.5-4.0	0.081
△	0-6	PG 11	24	26.7	31	10	7	11.0-8.0	0.072
△	0-4	PG 11	24	26.7	31	10	6	6.5-4.0	0.073

PART NO.	"A"	"B"	"C"	"D"	"E"	"F"	"RANGE"	WEIGHT [kg]
----------	-----	-----	-----	-----	-----	-----	---------	-------------



<small>THIS DRAWING IS A CONTROLLED DOCUMENT FOR TYCO ELECTRONICS CORPORATION. IT IS SUBJECT TO CHANGE AND THE CONTROLLING ENGINEERING ORGANIZATION SHOULD BE CONTACTED FOR THE LATEST REVISION.</small>		DWN 21JUL2009 H. J. BAUM CHK T. SCHNURPEIL 21JUL2009 APVD - NAME - PRODUCT SPEC - APPLICATION SPEC - WEIGHT - CUSTOMER DRAWING	Tyco Electronics tyco Electronics AMP GmbH 53757 Sankt Augustin (Germany)	CABLE GLAND ASS'Y SERIES EMV-DICHT, PG	SIZE A3 CAGE CODE 00779 DRAWING NO. C-1106007 RESTRICTED TO - SCALE 1:1 SHEET 1 OF 1 REV A1
--	--	---	---	---	---

AMP 1470-19 REV 31MAR2000  
 Pro/ENGINEER DRAWING