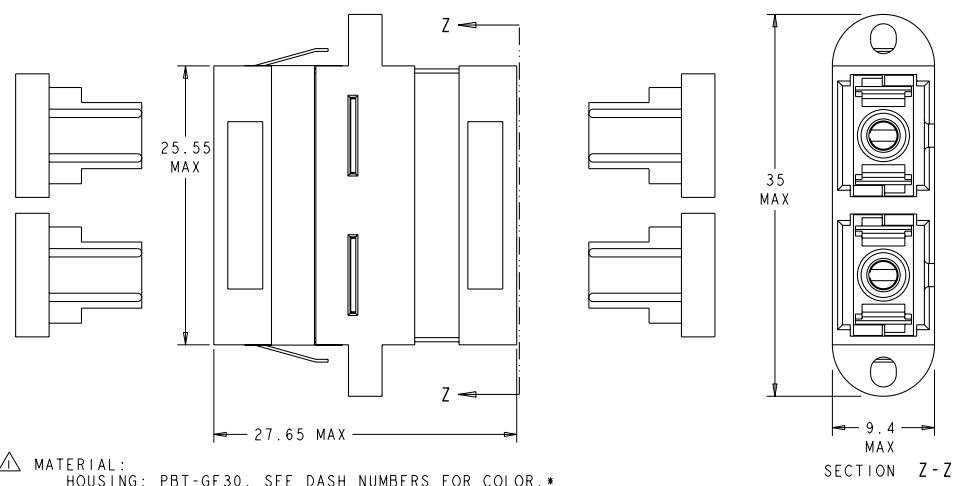


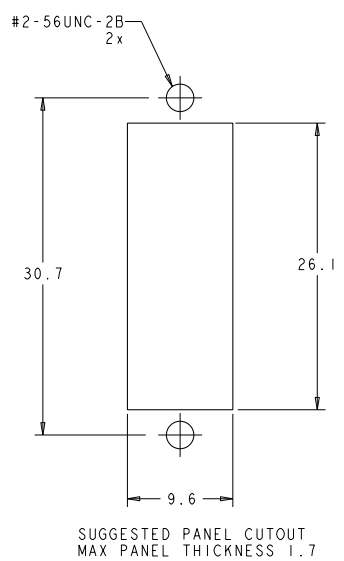
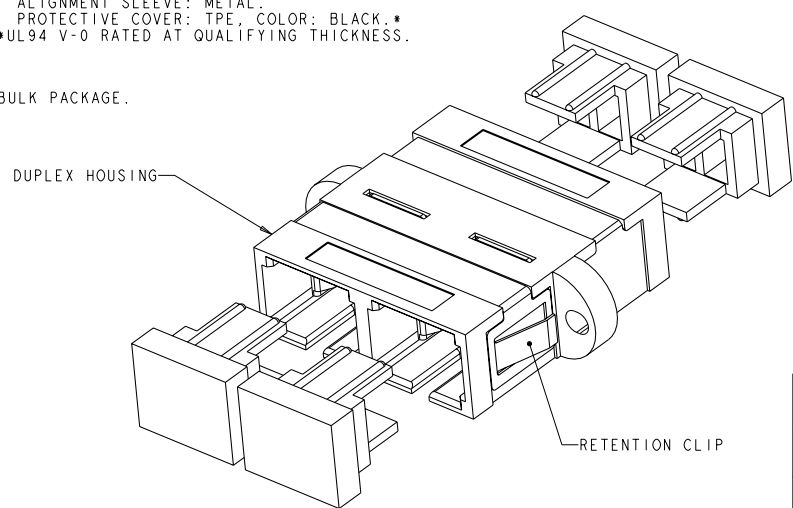
THIS DRAWING IS UNPUBLISHED. RELEASED FOR PUBLICATION  
 BY TYCO ELECTRONICS CORPORATION. ALL RIGHTS RESERVED.

LOC	DIST	REVISIONS			
P	LYR	DESCRIPTION	DATE	BY	APPR
K		REVISE PER 0A00-0547-04	08NOV2004	BB	SM
L		REVISE PER ECR-08-000844	23JAN2008	BB	SM



**MATERIAL:**  
 HOUSING: PBT-GF30, SEE DASH NUMBERS FOR COLOR.\*  
 RETAINER: PEI-GF30, COLOR: BLACK.\*  
 RETENTION CLIP: STAINLESS STEEL.  
 ALIGNMENT SLEEVE: METAL.  
 PROTECTIVE COVER: TPE, COLOR: BLACK.\*  
 \*UL94 V-0 RATED AT QUALIFYING THICKNESS.

**BULK PACKAGE.**



RETENTION CLIP	BLACK	504640-4
	NONE	LT ALMOND 504640-3
RETENTION CLIP	BEIGE	504640-2
RETENTION CLIP	BEIGE	504640-1
INCLUDED HARDWARE	COLOR	PART NUMBER

DIMENSIONS: mm		TO MANUFACTURE TO THE DIMENSIONS SHOWN UNLESS OTHERWISE SPECIFIED. DIMENSIONS ARE IN MILLIMETERS UNLESS OTHERWISE SPECIFIED.		DWG: 08NOV2004 B. BRIGGS CHK: S. MILLER APPR: S. BUCHTER 08NOV2004	Tyco Electronics Harrisburg, PA 17105-3608
MATERIAL:		FINISH: -		NAME: RECEPTACLE ASSEMBLY, DUPLEX, AMP SC TO SC, MULTIMODE SHEET: A200779 CASE CODE: C-504640 DRAWING NO:	RESTRICTED TO:
WEIGHT: -		CUSTOMER DRAWING		SCALE: 4:1	SHEET: 1 OF 1 REV: L