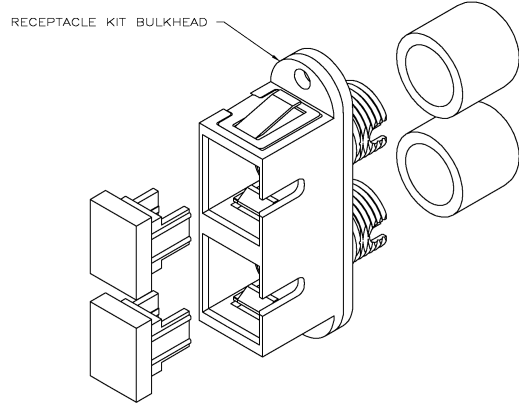
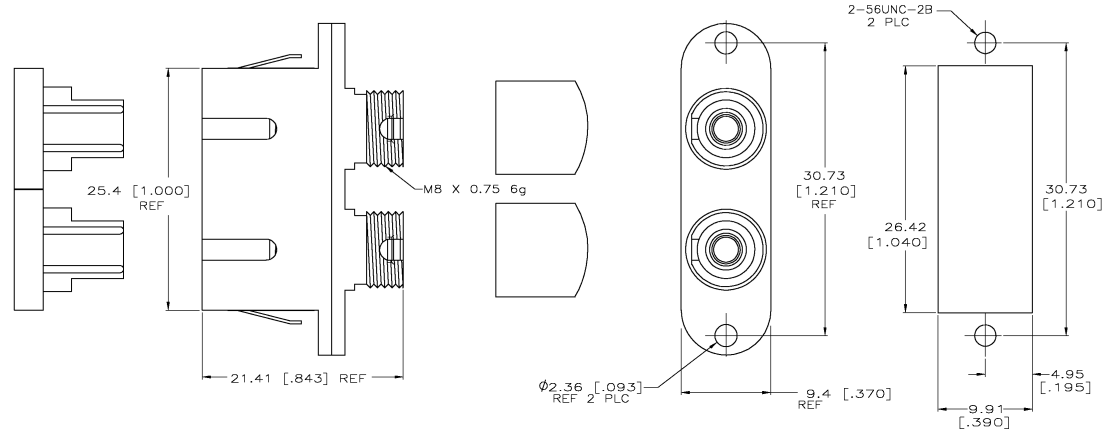


THE DRAWING IS UNPUBLISHED. RELEASED FOR PUBLICATION  
 © copyright BY TYCO ELECTRONICS CORPORATION. ALL RIGHTS RESERVED.

LOC	DIST	REV	DATE	BY	APPD
CE	16	H	REL PER EC 0A00-0292-04	6-8-04	LGE SB



△ MATERIAL:  
 BODY: THERMOPLASTIC  
 SLEEVE: PHOSPHOR BRONZE  
 SLEEVE: ZIRCONIA  
 DUST COVER: THERMOPLASTIC ELASTOMER

2. DIMENSIONS IN [ ] ARE IN INCHES.

△ BULK PACKAGE, 50 PIECES.

COLOR	ALIGNMENT	SLEEVE MATERIAL	PART NO.
BEIGE		CERAMIC	1-503135-2
BLUE		CERAMIC	1-503135-1
BLACK		CERAMIC	1-503135-0
BEIGE		METAL	503135-9
BLUE		METAL	503135-8
BLACK		METAL	503135-7
BEIGE		CERAMIC	503135-6
BLUE		CERAMIC	503135-5
BLACK		CERAMIC	503135-4
BEIGE		METAL	503135-3
BLUE		METAL	503135-2
BLACK		METAL	503135-1

THIS DRAWING IS A CONTROLLED DOCUMENT. DWG. 10-2-92  
 DR. R. SCHAEFFER  
 CK. K. MONROE 10-2-92  
 APP. D. STAKEM  
 PROVD. SFC

DUPLX RECEPTACLE, TYCO SC-FC

SIZE: CASE CODE: DRAWING NO: A2 00779 © 503135 RESTRICTED TO: --

CUSTOMER DRAWING SCALE: 1:1 SHEET 1 OF 1 REV H

503135