

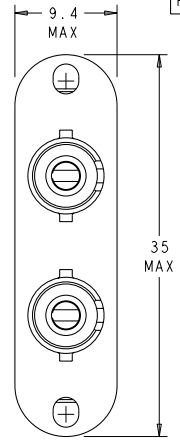
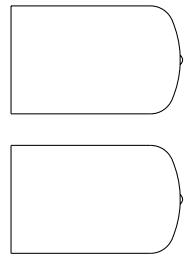
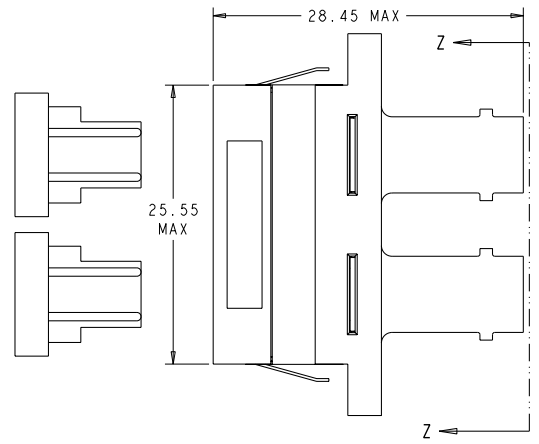
4

3

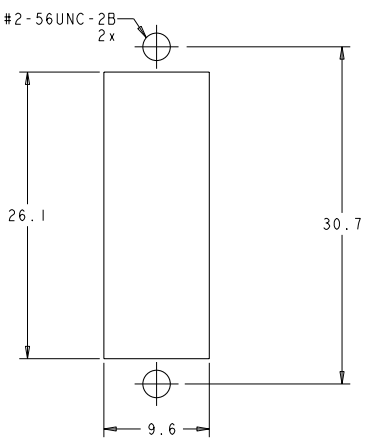
2

1

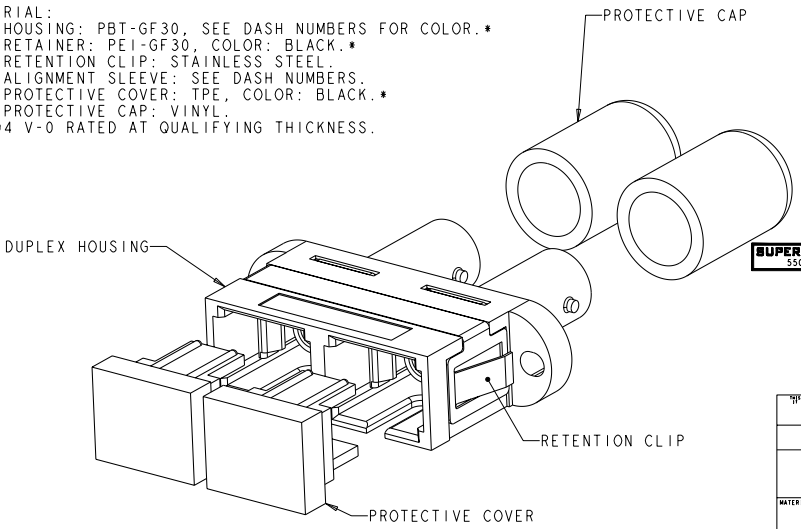
THIS DRAWING IS UNPUBLISHED. RELEASED FOR PUBLICATION BY TYCO ELECTRONICS CORPORATION. ALL INTERNATIONAL RIGHTS RESERVED. COPYRIGHT



REVISIONS				
REV	LYR	DESCRIPTION	DATE	BY
R		REVISE PER 0A00-0549-04	29OCT2004	BB SB
S		REVISE PER ECR-05-009829	31AUG2005	BB SB
T		REVISE PER ECR-08-000844	23JAN2008	BB SM
U		REVISE PER ECR-10-002998	1JULY2010	LL CT



▲ MATERIAL:  
 HOUSING: PBT-GF30, SEE DASH NUMBERS FOR COLOR.\*  
 RETAINER: PEI-GF30, COLOR: BLACK.\*  
 RETENTION CLIP: STAINLESS STEEL.  
 ALIGNMENT SLEEVE: SEE DASH NUMBERS.  
 PROTECTIVE COVER: TPE, COLOR: BLACK.\*  
 PROTECTIVE CAP: VINYL.  
 \*UL94 V-0 RATED AT QUALIFYING THICKNESS.



NONE	METAL	BLACK	1-503137-7
NONE	CERAMIC	LT ALMOND	1-503137-5
RETENTION CLIP	CERAMIC	BEIGE	503137-6
RETENTION CLIP	CERAMIC	BLUE	503137-5
RETENTION CLIP	CERAMIC	BLACK	503137-4
RETENTION CLIP	METAL	BEIGE	503137-3
RETENTION CLIP	METAL	BLUE	503137-2
RETENTION CLIP	METAL	BLACK	503137-1
HARDWARE	ALIGNMENT SLEEVE	COLOR	PART NUMBER

DIMENSIONS: mm 	TO MANUFACTURE TO THE DIMENSIONS SHOWN UNLESS OTHERWISE SPECIFIED. DIMENSIONS ARE IN MILLIMETERS UNLESS OTHERWISE SPECIFIED.	DWG: B. BRIGGS 29OCT2004 CHK: S. MILLER 29OCT2004 APP'D: S. BUCHTER 29OCT2004 PRODUCT SPEC: APPLICATION SPEC: WEIGHT: MATERIAL:  FINISH: -	Tyco Electronics Corporation Shanghai, China RECEPTACLE ASSEMBLY, DUPLEX, SC TO BAYONET SHEET: A200779 CASE CODE: C-503137 DRAWING NO: RESTRICTED TO:
CUSTOMER DRAWING		SCALE: 4:1	SHEET 1 OF 1 REV U