

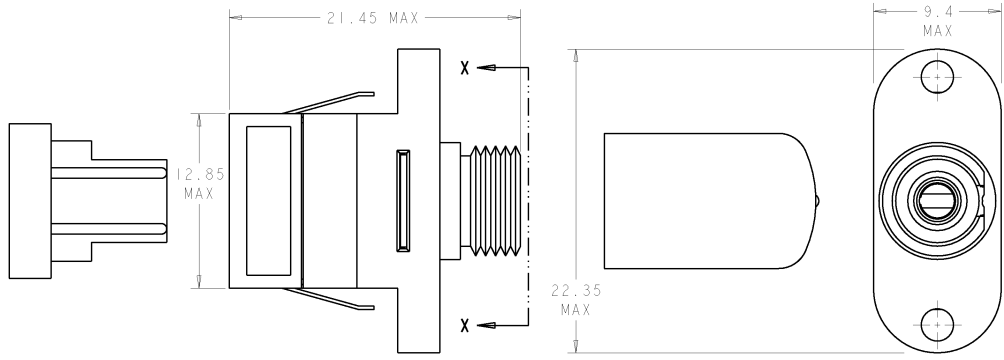
4

3

2

1

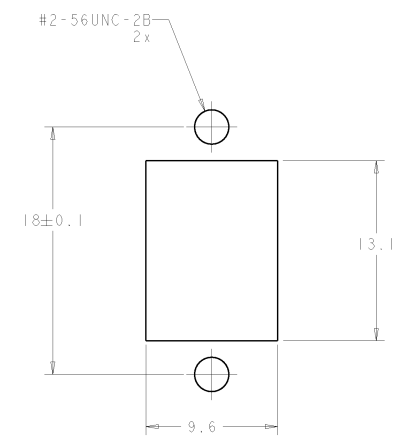
THIS DRAWING IS UNPUBLISHED. RELEASED FOR PUBLICATION BY TYCO ELECTRONICS CORPORATION. ALL RIGHTS RESERVED.



**MATERIAL:**  
 HOUSING: PBT-GF30. SEE DASH NUMBERS FOR COLOR.\*  
 RETAINER: PEI-GF30, COLOR: BLACK.\*  
 RETENTION CLIP: STAINLESS STEEL  
 ALIGNMENT SLEEVE: SEE DASH NUMBERS.  
 PROTECTIVE CAP: VINYL  
 PROTECTIVE COVER: TPE, COLOR: BLACK.\*  
 \*UL94 V-0 RATED AT QUALIFYING THICKNESS.

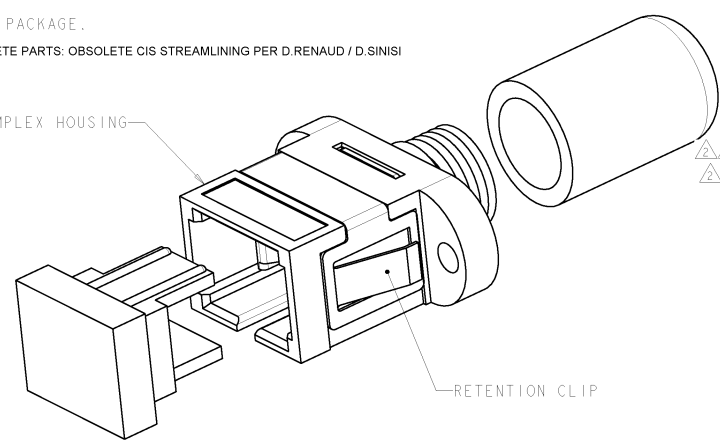
**BULK PACKAGE.**  
**OBsolete PARTS: OBSOLETE CIS STREAMLINING PER D.RENAUD / D.SINISI**

REV	DATE	BY	CHKD	APPROV
M	02NOV2004	BB	SM	
N	23JAN2008	BB	SM	
N1	04FEB10	KK	HMR	



SUGGESTED PANEL CUTOUT  
 MAX PANEL THICKNESS 1.7

SIMPLEX HOUSING



RETENTION CLIP

- SUPERSEDED BY 1-502781-0**
- SUPERSEDED BY 5502781-4**
- SUPERSEDED BY 5502781-6**
- SUPERSEDED BY 5502781-3**

NONE	CERAMIC	BLACK	1-502781-4
NONE	METAL	BLACK	1-502781-3
RETENTION CLIP	CERAMIC	BLACK	1-502781-0
RETENTION CLIP	METAL	BLUE	502781-8
RETENTION CLIP	CERAMIC	BEIGE	502781-6
RETENTION CLIP	CERAMIC	BLUE	502781-5
RETENTION CLIP	CERAMIC	BLACK	502781-4
RETENTION CLIP	METAL	BEIGE	502781-3
RETENTION CLIP	METAL	BLUE	502781-2
RETENTION CLIP	METAL	BLACK	502781-1
INCLUDED HARDWARE	ALIGNMENT SLEEVE	COLOR	PART NUMBER

DESIGNED BY: J.B. BRIGGS	DATE: 02NOV2004	DESIGNED BY: J.B. BRIGGS	DATE: 02NOV2004
DRAWN BY: S. MILLER	DATE: 02NOV2004	DRAWN BY: S. MILLER	DATE: 02NOV2004
CHECKED BY: S. BUCHHEIT	DATE: 02NOV2004	CHECKED BY: S. BUCHHEIT	DATE: 02NOV2004
APPROVED BY: S. BUCHHEIT	DATE: 02NOV2004	APPROVED BY: S. BUCHHEIT	DATE: 02NOV2004
APPLICATION SPEC: -	WEIGHT: -	SIZE: A200779	SCALE: 5:1
MATERIAL: -	FINISH: -	CUSTOMER DRAWING	REV: N1

AMP 1471-6 REV 2004000  
 ProENGINEER DRAWING