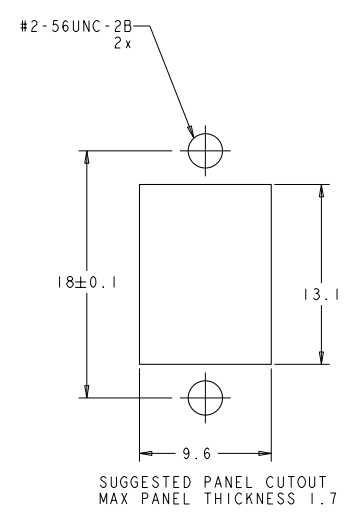
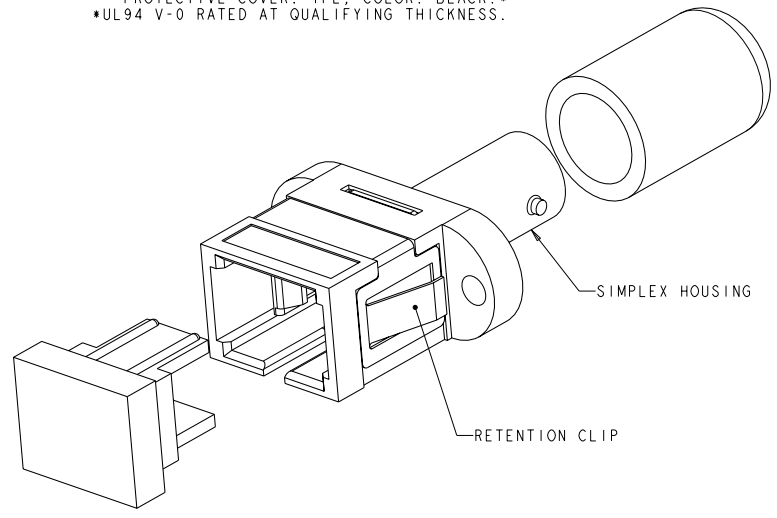


REVISIONS				
P	LYR	DESCRIPTION	DATE	BY
L		REVISE PER 0A00-0549-04	01NOV2004	BB SM
M		REVISE PER ECR-05-008692	16AUG2005	BB SM
N		REVISE PER ECR-08-000844	23JAN2008	BB SM



△ MATERIAL:
 HOUSING: PBT-GF30, SEE DASH NUMBERS FOR COLOR.*
 RETAINER: PEI-GF30, COLOR: BLACK.*
 RETENTION CLIP: STAINLESS STEEL.
 ALIGNMENT SLEEVE: SEE DASH NUMBERS.
 PROTECTIVE CAP: VINYL.
 PROTECTIVE COVER: TPE, COLOR: BLACK.*
 *UL94 V-0 RATED AT QUALIFYING THICKNESS.



CERAMIC	BEIGE	502780-6
CERAMIC	BLUE	502780-5
CERAMIC	BLACK	502780-4
METAL	BEIGE	502780-3
METAL	BLUE	502780-2
METAL	BLACK	502780-1
ALIGNMENT SLEEVE	COLOR	PART NUMBER

DIMENSIONS: mm 0 PLC ±0.1 1 PLC ±0.1 2 PLC ±0.05 3 PLC ±0.1 4 PLC ±0.1 ANGLES ±0.5 FINISH -		DWG: B. BRIGGS 01NOV2004 CHK: S. MILLER 01NOV2004 APPR: S. BUCHTER 01NOV2004	Tyco Electronics Harrisburg, PA 17105-3608
MATERIAL: △ -		APPLICATION SPEC: - WEIGHT: - CUSTOMER DRAWING: -	NAME: RECEPTACLE ASSEMBLY, AMP SC TO BAYONET SIZE: A2 CASE CODE: 00779 DRAWING NO: 502780 RESTRICTED TO: - SCALE: 5:1 SHEET: 1 OF 1 REV: N