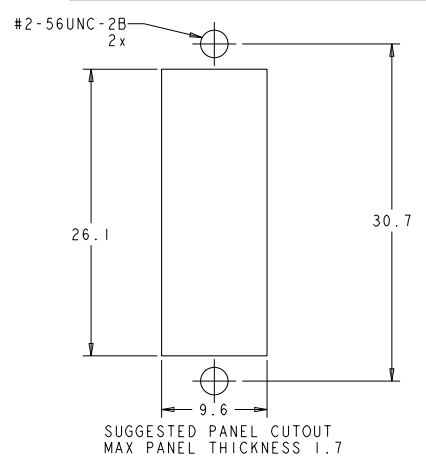
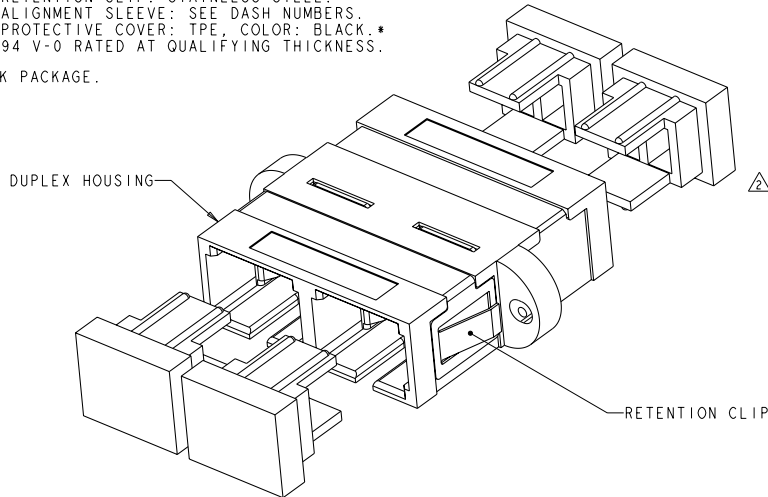


REV	DESCRIPTION	DATE	BY	APPV
R	REVISE PER 0A00-0547-04	04NOV2004	BB	SM
S	REVISE PER ECR-05-007211	21JUL2005	BB	SB
T	REVISE PER ECR-08-000844	23JAN2008	BB	SM
U	REVISE PER ECR-10-002998	1JUL2010	LL	CT



- △ MATERIAL:
HOUSING: PBT-GF30, SEE DASH NUMBERS FOR COLOR.*
RETAINER: PEI-GF30, COLOR: BLACK.*
RETENTION CLIP: STAINLESS STEEL.
ALIGNMENT SLEEVE: SEE DASH NUMBERS.
PROTECTIVE COVER: TPE, COLOR: BLACK.*
*UL94 V-0 RATED AT QUALIFYING THICKNESS.
- △ BULK PACKAGE.



SUPERSEDED BY:
1-5502776-3

RETENTION CLIP	CERAMIC	GREEN	2-502776-3
NONE	CERAMIC	GREEN	2-502776-2
RETENTION CLIP	METAL	BLACK	1-502776-3
RETENTION CLIP	CERAMIC	BEIGE	1-502776-2
RETENTION CLIP	CERAMIC	BLUE	1-502776-1
RETENTION CLIP	CERAMIC	BLACK	1-502776-0
RETENTION CLIP	METAL	BEIGE	502776-9
RETENTION CLIP	METAL	BLUE	502776-8
RETENTION CLIP	METAL	BLACK	502776-7
INCLUDED HARDWARE	ALIGNMENT SLEEVE	COLOR	PART NUMBER

DIMENSIONS: mm		TO BE USED IN CONJUNCTION WITH THE FOLLOWING DIMENSIONS: DIMENSIONS IN MILLIMETERS		DWG: B. BRIGGS 04NOV2004 CHK: S. MILLER 04NOV2004 APPR: S. BUCHTER 04NOV2004		Tyco Electronics Corporation Shanghai, China	
MATERIAL:		FINISH: -		PRODUCT SPEC: - APPLICATION SPEC: - WEIGHT: - CUSTOMER DRAWING: -		NAME: RECEPTACLE ASSEMBLY, DUPLEX, SC TO SC SIZE: A2 CASE CODE: 00779 DRAWING NO: 502776 SCALE: 4:1 SHEET: 1 OF 1 REV: U	