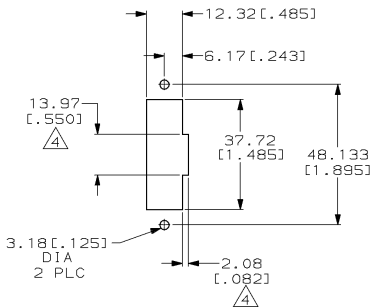
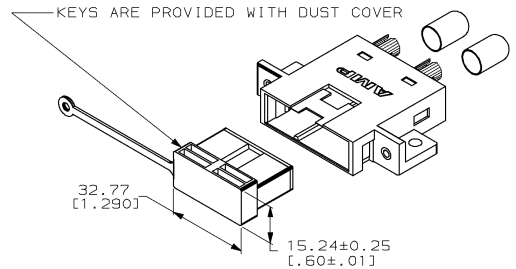
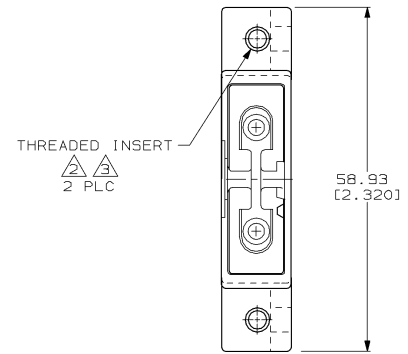
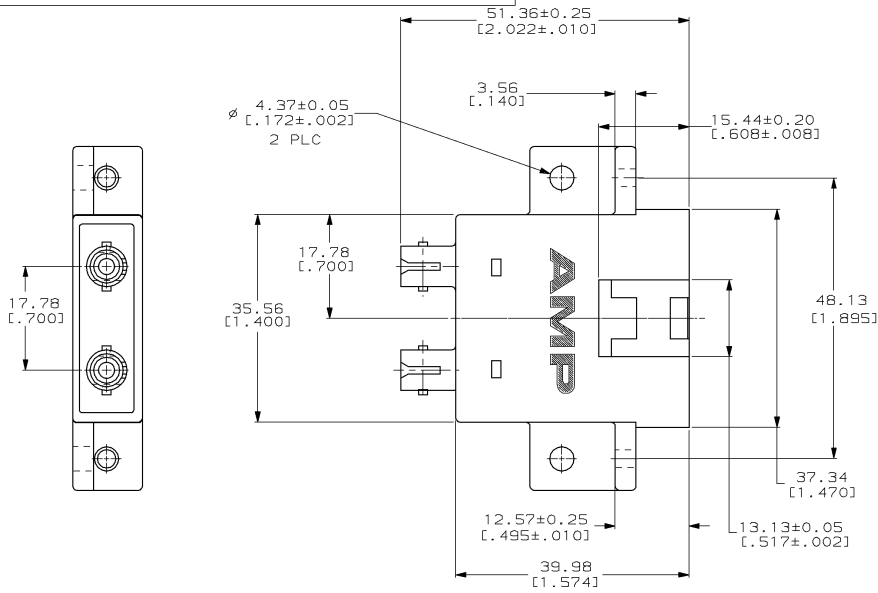


DRAWING MADE IN THIRD ANGLE PROJECTION

THIS DRAWING IS UNPUBLISHED. RELEASED FOR PUBLICATION
 © COPYRIGHT 19 BY AMP INCORPORATED. ALL INTERNATIONAL RIGHTS RESERVED.

LOC	DIST	P	F	ZONE	LTR	REVISIONS	DATE	APPD
CE	16				B	REV PER 0500-0087-94	11-22-94	RH/GL



1. DIMENSIONS IN [] ARE IN INCHES.
 ▲ #4-40 THREADED INSERT.
 ▲ M3X0.5 THREADED INSERT.
 ▲ OPTIONAL CUTOUT FOR FIELD KEY INSERTION AND REMOVAL. KEY EXTRACTION TOOL PART NUMBER: 503679-1.

COLOR	ALIGNMENT SLEEVE MATERIAL	PART NUMBER
BLACK	CERAMIC	502809-3
BEIGE	CERAMIC	502809-2
BLACK	CERAMIC	502809-1

DO NOT SCALE PRINT. UNLESS SPECIFIED DIMENSIONS IN mm TOLERANCES ON :		DR 10-13-92 R.HILLMAN		PART NO	
2 PLC DEC ±	0.13 [0.005]	CHK 10-14-92 T.FANCETT		AMP AMP INCORPORATED Hartford, Pa. 17105	
3 PLC DEC ±	0.13 [0.005]	APPD 10-14-92 T.FANCETT		NAME	
ANGLES ±	-	APPD 10-16-92 D.FISHER		FSD TO 2.5mm BAYONET COUPLING ASSEMBLY, FIELD KEYABLE, AMP FSD, SINGLEMODE	
MATERIAL	THERMOPLASTIC	PRODUCT SPEC		SIZE	C 00779
FINISH	SEE TABLE	APPLICATION SPEC		DRAWING NO	502809
WEIGHT	-			SHEET	1 OF 1
				SCALE	2:1

METRIC

CUSTOMER DRAWING