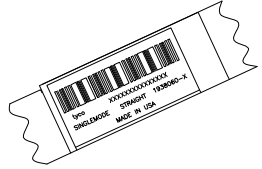
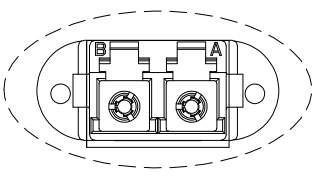
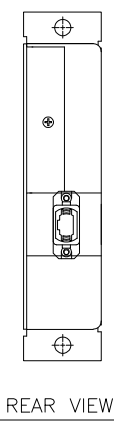
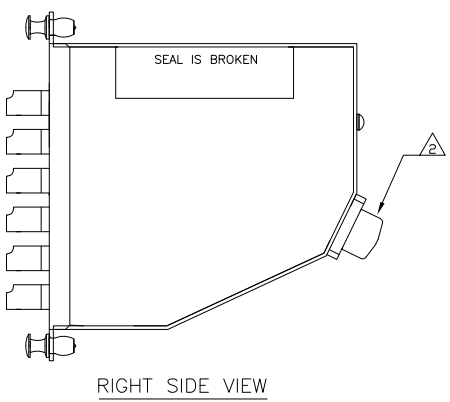
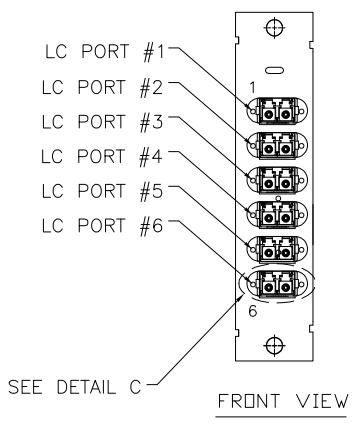
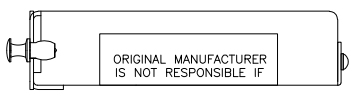


THIS DRAWING IS UNPUBLISHED. RELEASED FOR FABRICATION. ALL RIGHTS RESERVED. BY TYCO ELECTRONICS CORPORATION.

REV	DATE	DESCRIPTION	BY	APP'D
1	16MAR07	RELEASED	DLF	DLF



THIS DRAWING IS A CONTROLLED DOCUMENT.		DWG: D. FENNEL DRW: D. FENNEL APD: D. FENNEL	16MAR07 16MAR07 16MAR07	 Tyco Electronics Corporation Harrisburg, PA 17105-3608
DIMENSIONS: mm TOLERANCES UNLESS OTHERWISE SPECIFIED: 0 PLC ± .15 1 PLC ± .15 2 PLC ± .15 3 PLC ± .15 4 PLC ± .15 ANGLES ± .5°	PRODUCT SPEC: — APPLICATION SPEC: — WEIGHT: —	SIZE: A2 CAGE CODE: 00779 DRAWING NO: 1938060	RESTRICTED TO: — SCALE: NTS SHEET: 1 of 2 REV: A	
MATERIAL: —		CUSTOMER DRAWING		

AMP 3307-7 REV 31MAR2000

1938060

4

3

2

1

THIS DRAWING IS UNPUBLISHED. RELEASED FOR PUBLICATION
 © COPYRIGHT BY TYCO ELECTRONICS CORPORATION. ALL RIGHTS RESERVED.

LOC	DIST	REVISIONS					
CE	17	F	LR	DATE	BY	APPD	
		SEE SHEET 1					

1. MAXIMUM CASSETTE ASSEMBLY LOSS: 1.25dB.

△ WHITE MARKING ON MPO TO BE FACING TOWARD TOP OF CONNECTOR MODULE. WHITE MARK INDICATES FIBER 1 SIDE.

△ SEE TRACE LABEL DETAIL.

4. A COPY OF CASSETTE ASSEMBLY LOSS TEST DATA WILL BE PLACED INSIDE OR WITH THE UNIT PACKAGE. CASSETTES WILL BE TESTED AT 1310nm AND 1550nm WAVELENGTHS.

5. PRODUCT AND PROCESSING MUST MEET REQUIREMENTS OF TYCO ELECTRONICS STANDARD 230-702.



FIBER PATH - STRAIGHT

MPO L1 PORT POSITION NO	LC PORT POSITION NO
1	1B
2	1A
3	2B
4	2A
5	3B
6	3A
7	4B
8	4A
9	5B
10	5A
11	6B
12	6A

AQUA SECURE	AQUA SECURE	1-1938060-1
SLATE SECURE	SLATE SECURE	1-1938060-0
ROSE SECURE	ROSE SECURE	1938060-9
VIOLET SECURE	VIOLET SECURE	1938060-8
BROWN SECURE	BROWN SECURE	1938060-7
ORANGE SECURE	ORANGE SECURE	1938060-6
YELLOW SECURE	YELLOW SECURE	1938060-5
BLUE SECURE	BLUE SECURE	1938060-4
GREEN SECURE	GREEN SECURE	1938060-3
RED SECURE	RED SECURE	1938060-2
BLACK STANDARD	BLUE STANDARD	1938060-1
MPO COUPLING BUSHING COLOR & TYPE	LC ADAPTER COLOR & TYPE	PART NUMBER

THIS DRAWING IS A CONTROLLED DOCUMENT.

DIMENSIONS: mm 0 PLG ± - 1 PLG ± - 2 PLG ± - 3 PLG ± - 4 PLG ± - ANGLES ± - MATERIAL - FINISH -	D. FENNEL ORNOVO D. FENNEL ORNOVO D. FENNEL ORNOVO D. FENNEL ORNOVO APPLICATION SPEC: - WEIGHT: - CUSTOMER DRAWING	Tyco Electronics Corporation Harrisburg, PA 17105-3608 tyco Electronics CASSETTE, 6 PORT, SINGLEMODE, MPO TO LC, STRAIGHT FIBER PATH SIZE: A2 CASE CODE: C=1938060 RESTRICTED TO: - SCALE: NTS SHEET: 2 of 2 REV: A
---	--	---