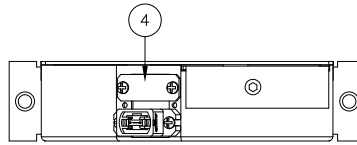
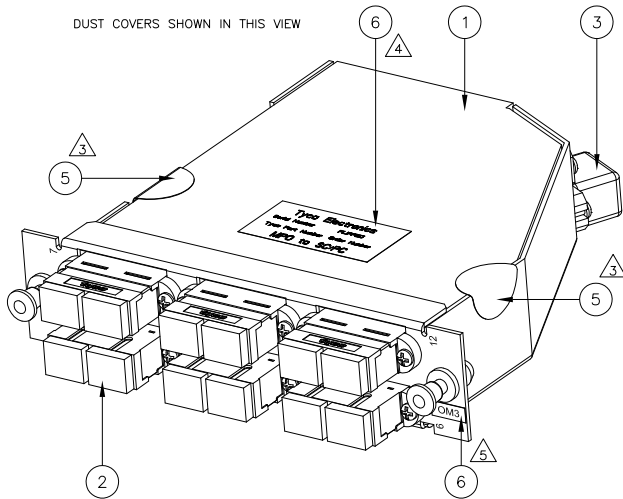
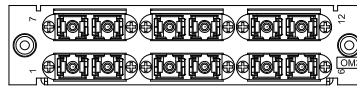


THIS DRAWING IS UNPUBLISHED. RELEASED FOR PUBLICATION
 © COPYRIGHT BY TYCO ELECTRONICS CORPORATION. ALL RIGHTS RESERVED.

LOC	DIST	REVISIONS		
H	—	F LTR	DESCRIPTION	DATE
		B	ECR-06-025488	20-MAR-07
				RC



BACK SIDE VIEW (DUST COVER NOT SHOWN)



FRONT SIDE VIEW (DUST COVERS NOT SHOWN)
 KEY SLOTS ALWAYS FACE TO THE INSIDE

CONNECTIVITY	
PAIR FLIPPED VERSION	SC
MPO 1	1
MPO 2	2
MPO 3	3
MPO 4	4
MPO 5	5
MPO 6	6
MPO 7	7
MPO 8	8
MPO 9	9
MPO 10	10
MPO 11	11
MPO 12	12

CONNECTIVITY	
STRAIGHT VERSION	SC
MPO 1	1
MPO 2	2
MPO 3	3
MPO 4	4
MPO 5	5
MPO 6	6
MPO 7	7
MPO 8	8
MPO 9	9
MPO 10	10
MPO 11	11
MPO 12	12

NOTES:

- CASSETTE LOSS $\leq 1,2\text{dB}$ MEASURED AGAINST REF. CONN. AT 850nm
 ACC. IEC 61300-3-4, CPR 16~16,5dB
- RETURN LOSS $> 30\text{dB}$, MEASURED AGAINST REF. CONN. AT 850nm
- WARRANTY VOID IF SEAL IS BROKEN
- LABEL INFORMATION:
 - TYCO LOGO
 - SERIAL NUMBER
 - TYCO PART NUMBER
 - "STRAIGHT" OR "FLIPPED"
 - ORDER NUMBER
 - CONNECTOR TYPE
- LABEL INFORMATION FOR FIBER TYPE MM50XG: "OM3"
- TEST RESULT SHEET SUPPLIED WITH EACH INDIVIDUALLY PACKED ASSEMBLY

PART NUMBER	MPO	FIBER POSITION
0-6695133-1	MALE	STRAIGHT
1-6695133-1	MALE	PAIR FLIPPED

2	INFORMATION LABEL	6
2	FOAC WARRANTY LABEL	5
1	COVER MPO ADAPTER BLACK	4
1	MPO COUPLING BUSH WITH DUST COVER, BLACK	3
6	RECEPTACLE KIT SC/SC AQUA WITH DUST COVERS BLACK	2
1	CASSETTE TRAY MPO-SC/PC WITH LID & PUSH-PINS, BLACK	1
Qty	Description	Item
THIS DRAWING IS A CONTROLLED DOCUMENT. DIM: R. COOLEN 01ND0208 CHK: A. HENGLMOLEN 20 MAR 07 T. J. J. MEULEN 20 MAR 07 NAME: Tyco Electronics Tyco Electronics Nederland BV 's-Hertogenbosch, Netherlands PRODUCT SPEC: FOCASS MM50XG OM3 APPLICATION SPEC: 12FOLD MPO - SC/PC STRAIGHT / PAIR FLIPPED MATERIAL: FINISH: SIZE: A2 CASE CODE: 00779 DRAWING NO: C-6695133 RESTRICTED TO: NTS SHEET 1 OF 1 REV: B		